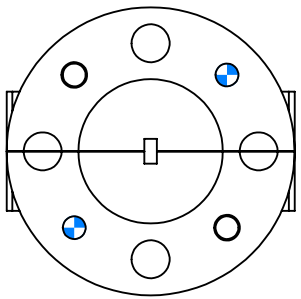
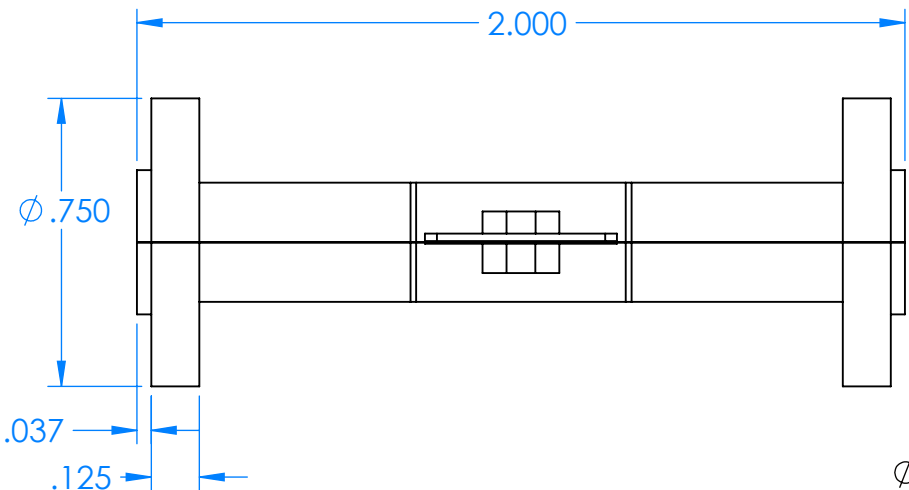
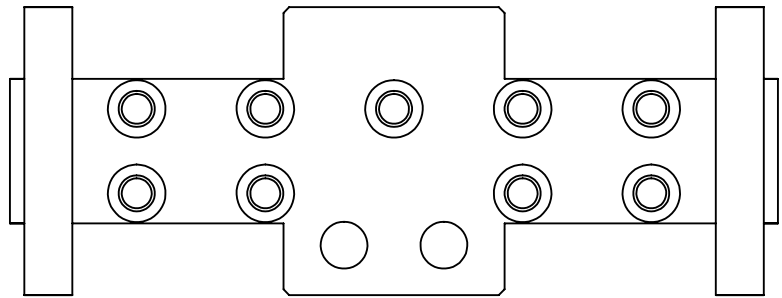
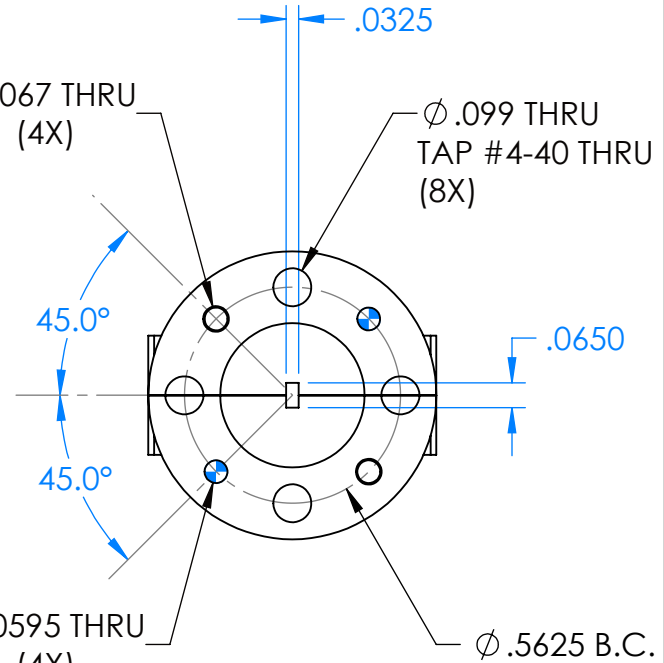


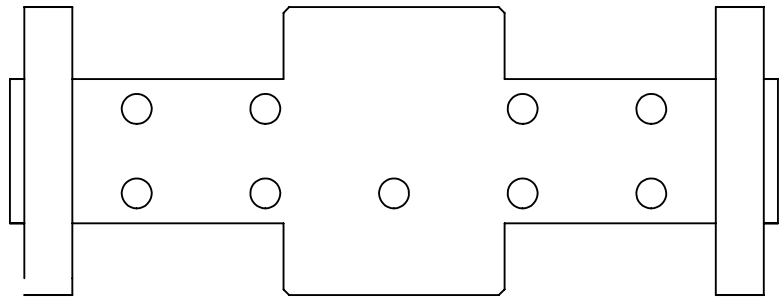
REVISIONS			
REV	DESCRIPTION	DATE	APPROVED
-	-	-	-



UG-387



UG-387



DECIMALS: XXXX ±.0005 XXX ±.005 XX ±.01	DRAWN	JV	1-10-19
ANGLES: ± .5 DEGRESS	CHECKED	MS	1-10-19
THIRD ANGLE PROJECTION	ENG	LS	1-10-19
	MATL:	6061 T6 ALUMINUM	

TITLE:	Millimeter Wave Products Inc.		
SIZE	DWG. NO.	REV	
A	521D-387-OUTLINE_24470	-	
SCALE: 2:1	WEIGHT:	SHEET 1 OF 1	