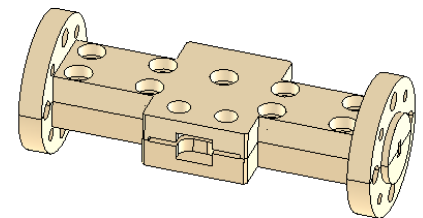
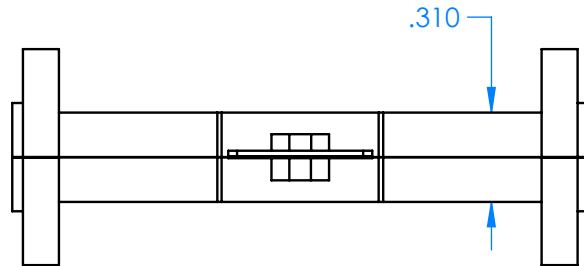
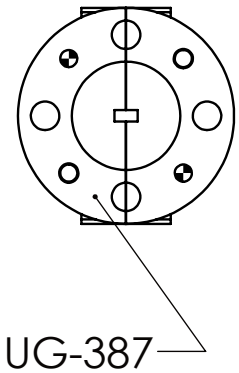
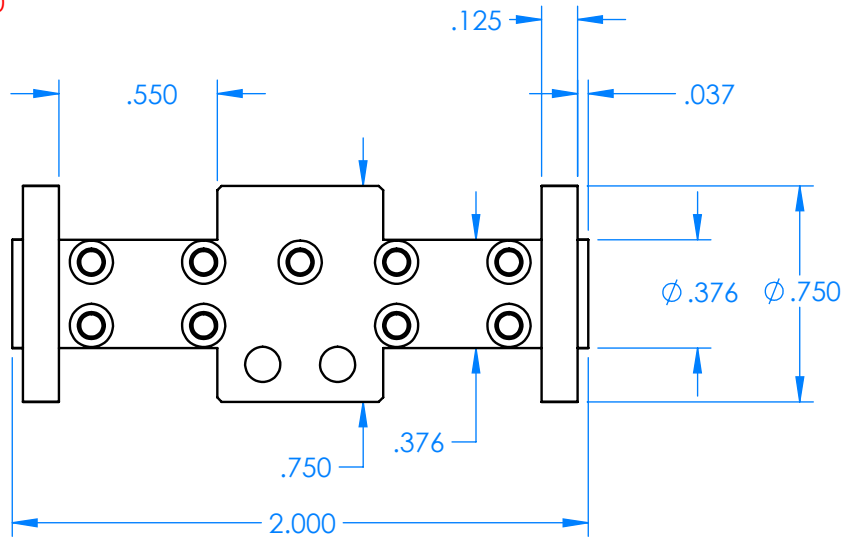
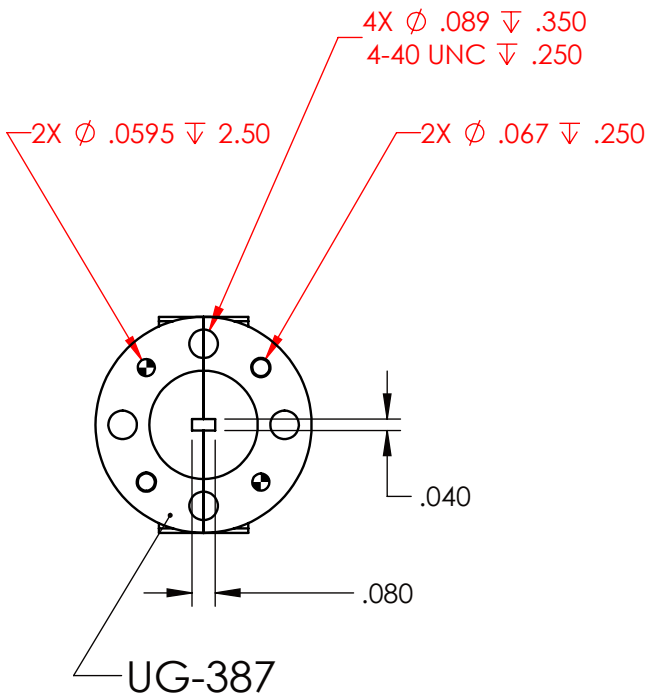


REVISIONS			
REV	DESCRIPTION	DATE	APPROVED
-	-	-	-



ALL DIMENSIONS ARE
REFERENCE ONLY

DECIMALS: XXXX \pm .0005 XXX \pm .005 XX \pm .01	ANGLES: \pm .5 DEGREE	THIRD ANGLE PROJECTION	DRAWN: JV CHECKED: MS ENG: MS	NAME: JV DATE: 7-16-18	TITLE: Mi-Wave Millimeter Products Inc.	SIZE: A	DWG. NO.: 521F-387-OUTLINE_25251	REV: -
MATERIAL: 6061 T6 ALUMINUM			SCALE: 3:2		WEIGHT:		SHEET 1 OF 1	