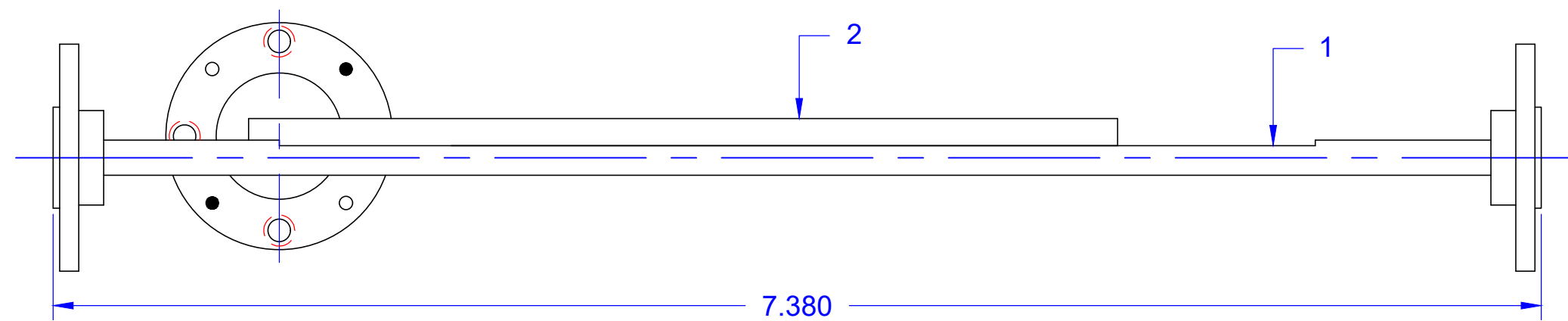
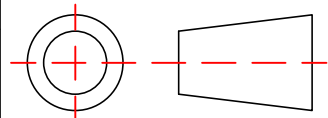


REVISIONS			
REV	DESCRIPTION	DATE	APPROVED
--	--	--	--



1	21663	U BAND LOAD	--
1	21661	CROSS ARM	2
1	21660	THRU ARM	1
QTY	PART NUMBER	DESCRIPTION	ITEM

UNLESS OTHERWISE SPECIFIED ALL SURFACES $\sqrt{32}$		Mi-Wave Millimeter Products Inc.	
DIMENSIONS ARE IN INCHES TOLERANCES ARE: DECIMALS: .1234 +/- .0005 .123 +/- .005 .12 +/- .01 ANGLES: +/- .5 DEGREES	THIRD ANGLE PROJECTION	TITLE 559U/383 10,20,30,40 dB FINAL ASSEMBLY	
ALL THREADS TO BE 2A OR 2B	DRAFTING: MRN	SIZE	DWG NO
REF DWG# --	APPROVED: M.S.	A	21662
	DATE: 1/30/2012		
	SHEET NO. 1	OF 1	