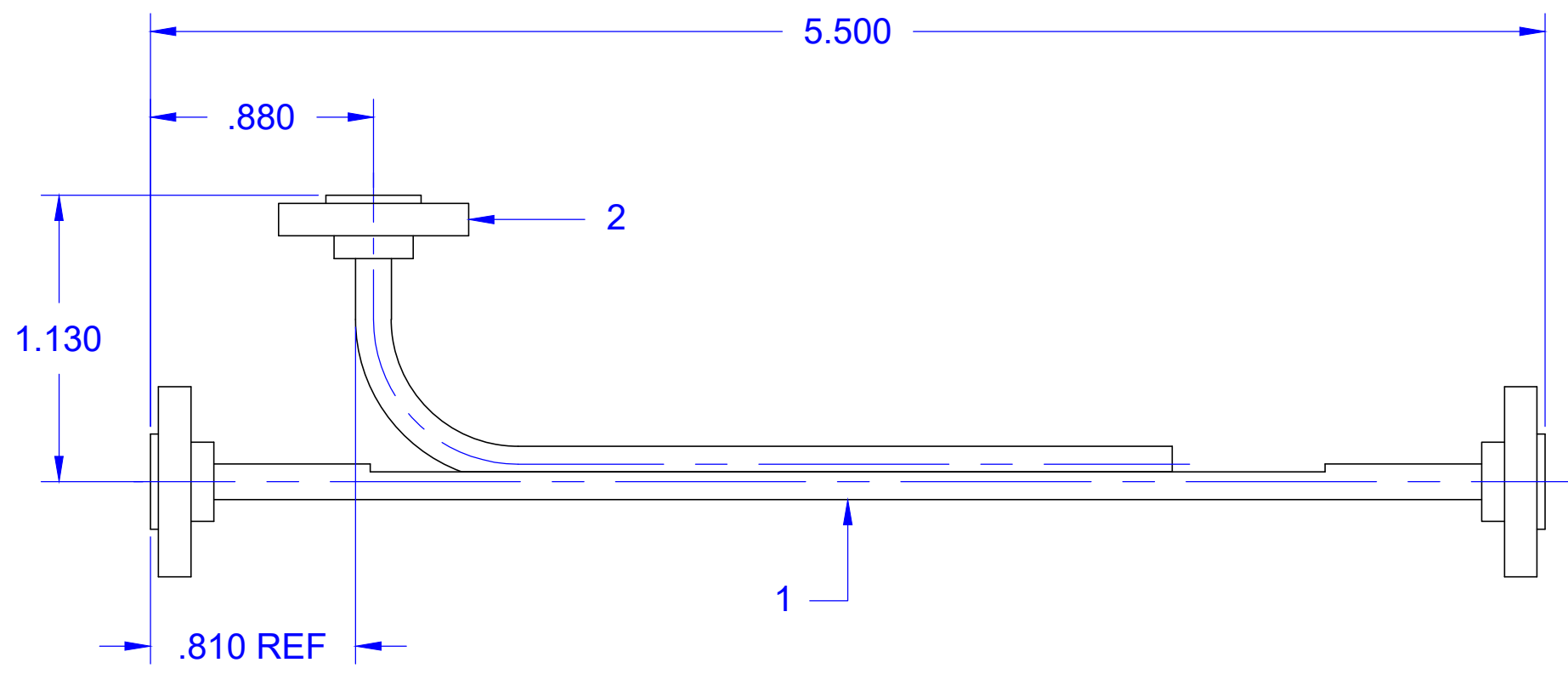
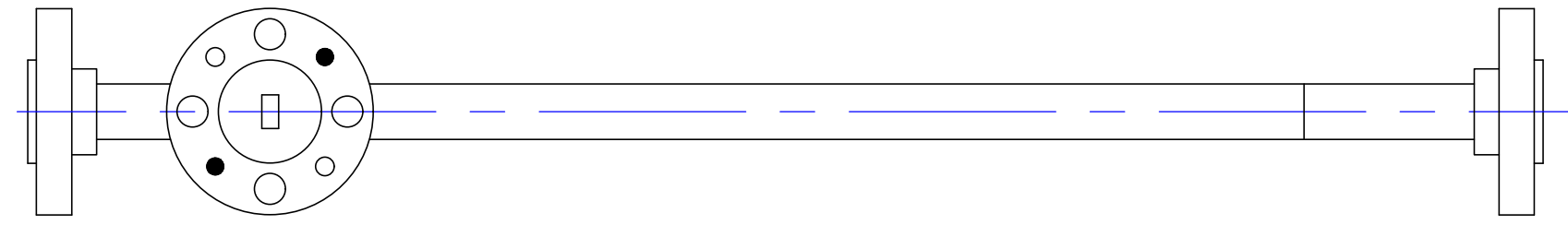
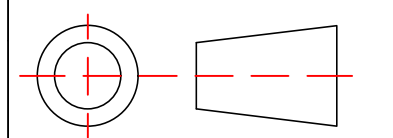


REVISIONS			
REV	DESCRIPTION	DATE	APPROVED
--	--	--	--



1	21486	E BAND LOAD	--
1	21752	CROSS ARM	2
1	21620	THRU ARM	1
QTY	PART NUMBER	DESCRIPTION	ITEM

UNLESS OTHERWISE SPECIFIED
ALL SURFACES $\sqrt{32}$



DIMENSIONS ARE IN INCHES
TOLERANCES ARE:
DECIMALS: .1234 +/- .0005
.123 +/- .005
.12 +/- .01
ANGLES: +/- .5 DEGREES

THIRD ANGLE PROJECTION
DRAFTING: MRN
APPROVED: M.S.
DATE: 3/14/2012

Mi-Wave Millimeter Products Inc.

ALL THREADS TO BE 2A OR 2B
REF DWG# --

SHEET NO. 1 OF 1

TITLE
**560E/387
10,20,30,40 dB
FINAL ASSEMBLY**

SIZE **A** DWG NO **21753**