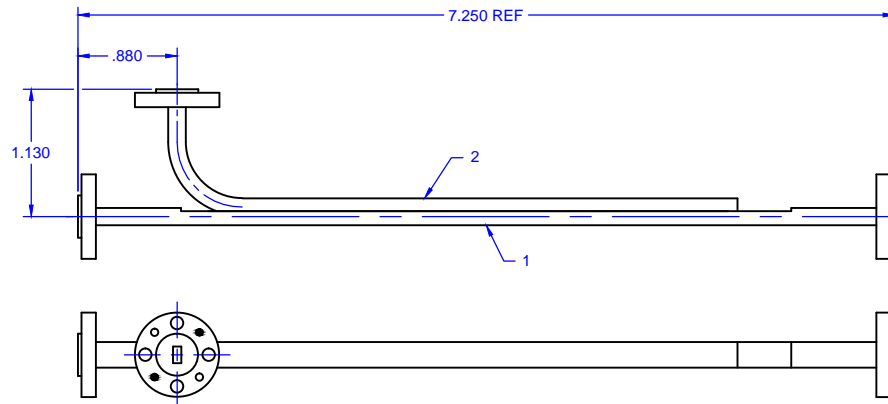


REVISIONS			
REV	DESCRIPTION	DATE	APPROVED



1	20808	CROSS ARM	2
1	20807	THRU ARM	1
QTY	PART NUMBER	DESCRIPTION	ITEM
UNLESS OTHERWISE SPECIFIED		 THIRD ANGLE PROJECTION	Mi-Wave Millimeter Products Inc. FINAL ASSEMBLY 560V-3/385
ALL SURFACES $\sqrt{32}$			
DIMENSIONS ARE IN INCHES		DRAFTING: MRN	TITLE FINAL ASSEMBLY 560V-3/385
TOLERANCES ARE:		APPROVED: M.S.	
DECIMALS: .1234 +/- .0005 .123 +/- .005 .12 +/- .01 ANGLES: +/- .0 DEGREES		DATE: 1/20/2011	
ALL THREADS TO BE 2A OR 2B		SHEET NO. 1	OF 1
REF DWG#: 11769		SIZE A	DWG NO 20809