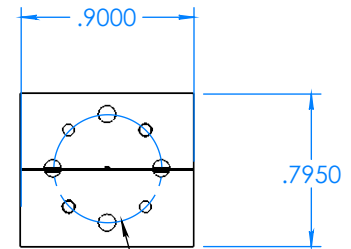
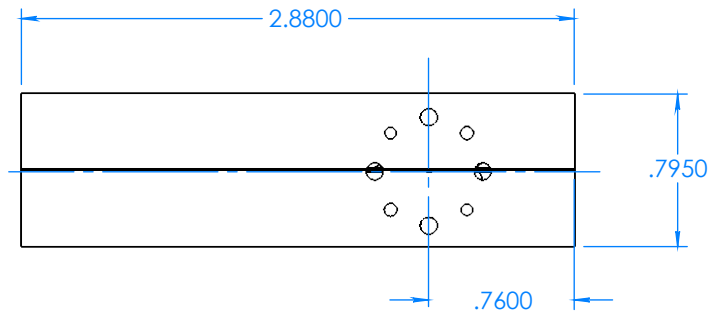
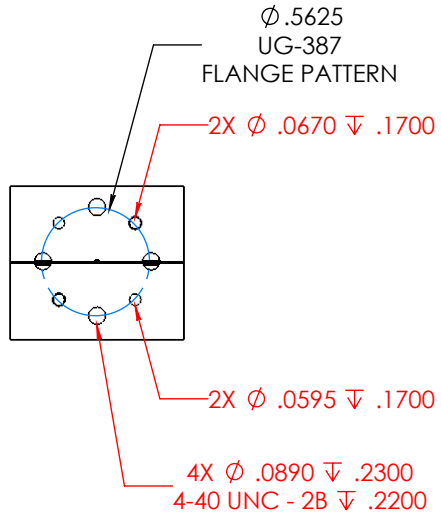
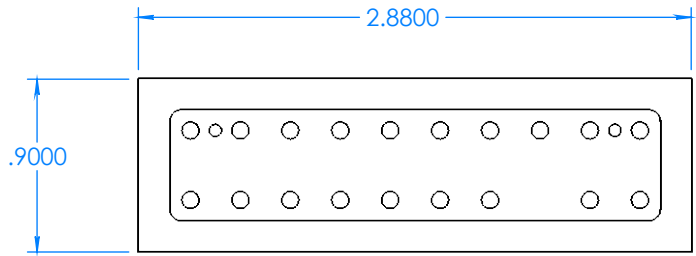
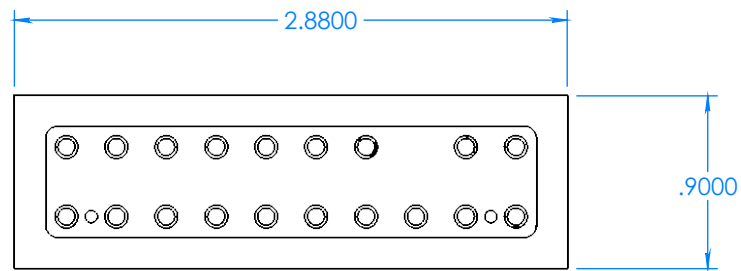


REVISIONS			
REV	DESCRIPTION	DATE	APPROVED
-	-	-	-



$\phi .5625$
 UG-387
 FLANGE PATTERN



DECIMALS: XXXX ±.0005 XXX ±.005 XX ±.01	NAME	DATE	TITLE:
ANGLES: ± .5 DEGREE	DRAWN	YM 11/26/18	Mi-Wave Millimeter Products Inc.
THIRD ANGLE PROJECTION	CHECKED	LS 11/26/18	SIZE DWG. NO.
	ENG	LS 11/26/18	A 561-WR-2.2_387_OUTLINE_25394
	MATL:		REV
	6061 T6 ALUMINUM	SCALE: 1:1	-

WEIGHT:

SHEET 1 OF 1