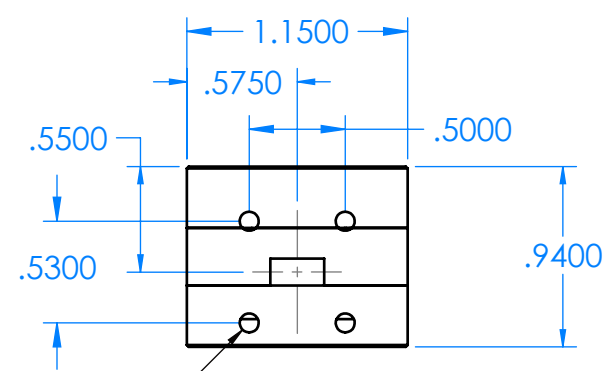
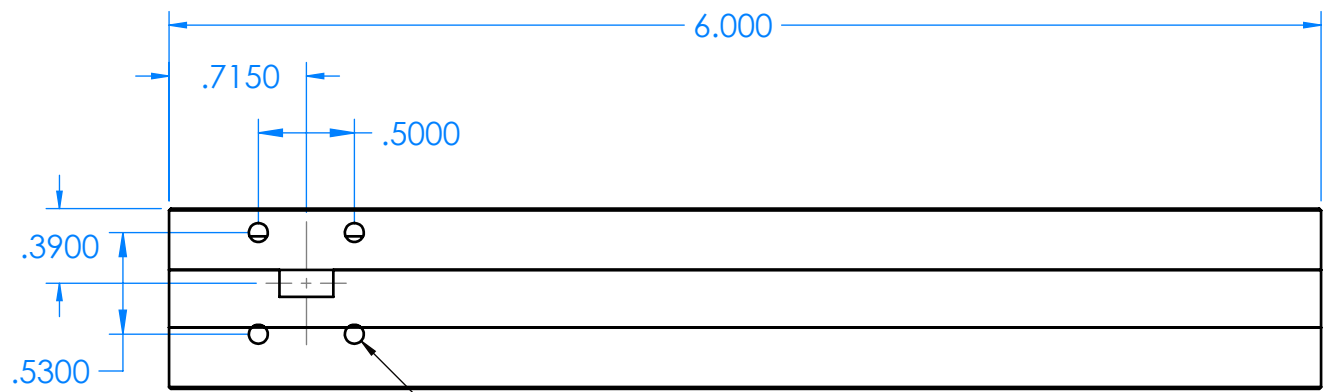
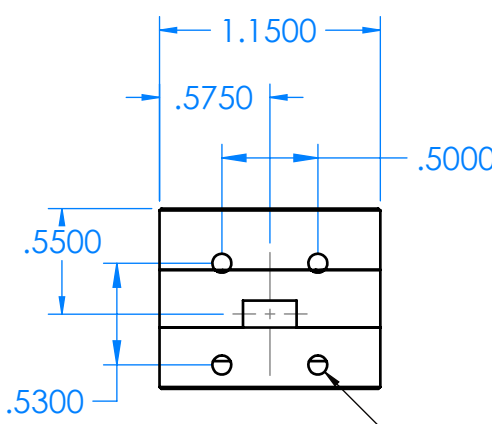
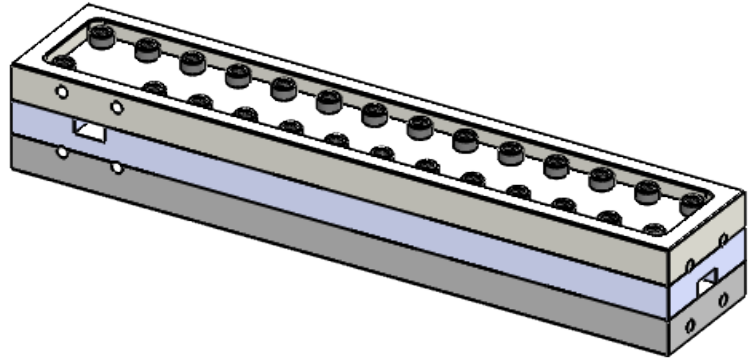
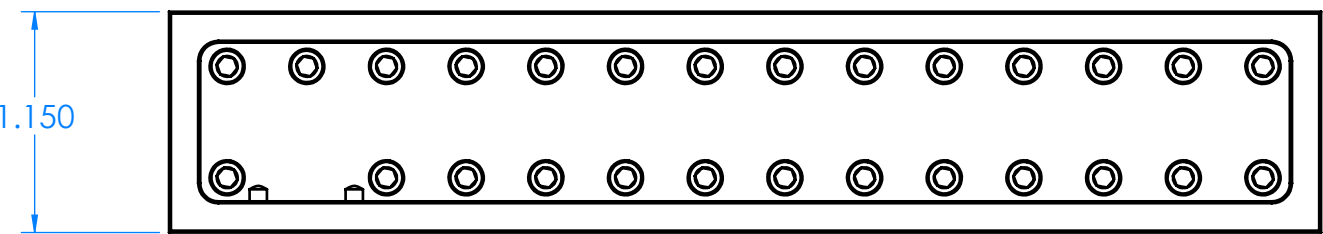


REVISIONS			
REV	DESCRIPTION	DATE	APPROVED
-	-	-	-



UG-599

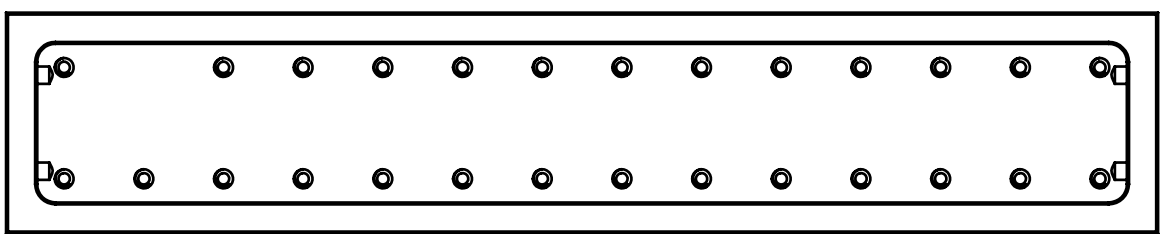
UG-599

UG-599

4X ϕ .0990 ∇ .2250
4-40 UNC - 2B ∇ .2000

4X ϕ .0990 ∇ .2250
4-40 UNC - 2B ∇ .2000

4X ϕ .0990 ∇ .2250
4-40 UNC - 2B ∇ .2000



DECIMALS: XXXX \pm .0005 XXX \pm .005 XX \pm .01	ANGLES: \pm .5 DEGREE	THIRD ANGLE PROJECTION	<table border="1"> <tr> <th>NAME</th> <th>DATE</th> </tr> <tr> <td>DRAWN JV</td> <td>11-8-17</td> </tr> <tr> <td>CHECKED MS</td> <td>11-8-17</td> </tr> <tr> <td>ENG MS</td> <td>11-8-17</td> </tr> </table>	NAME	DATE	DRAWN JV	11-8-17	CHECKED MS	11-8-17	ENG MS	11-8-17	<table border="1"> <tr> <td>TITLE:</td> <td colspan="2">Mi-Wave Millimeter Products Inc.</td> </tr> <tr> <td>SIZE</td> <td>DWG. NO.</td> <td>REV</td> </tr> <tr> <td>A</td> <td>561A_599_10-40db_OUTLINE</td> <td></td> </tr> </table>	TITLE:	Mi-Wave Millimeter Products Inc.		SIZE	DWG. NO.	REV	A	561A_599_10-40db_OUTLINE	
NAME	DATE																				
DRAWN JV	11-8-17																				
CHECKED MS	11-8-17																				
ENG MS	11-8-17																				
TITLE:	Mi-Wave Millimeter Products Inc.																				
SIZE	DWG. NO.	REV																			
A	561A_599_10-40db_OUTLINE																				
MATERIAL: 6061 T6 ALUMINUM			SCALE: 1:1																		
WEIGHT:		SHEET 1 OF 1																			