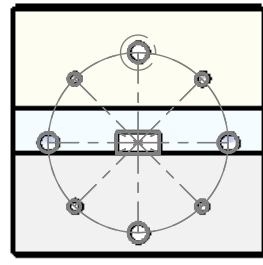
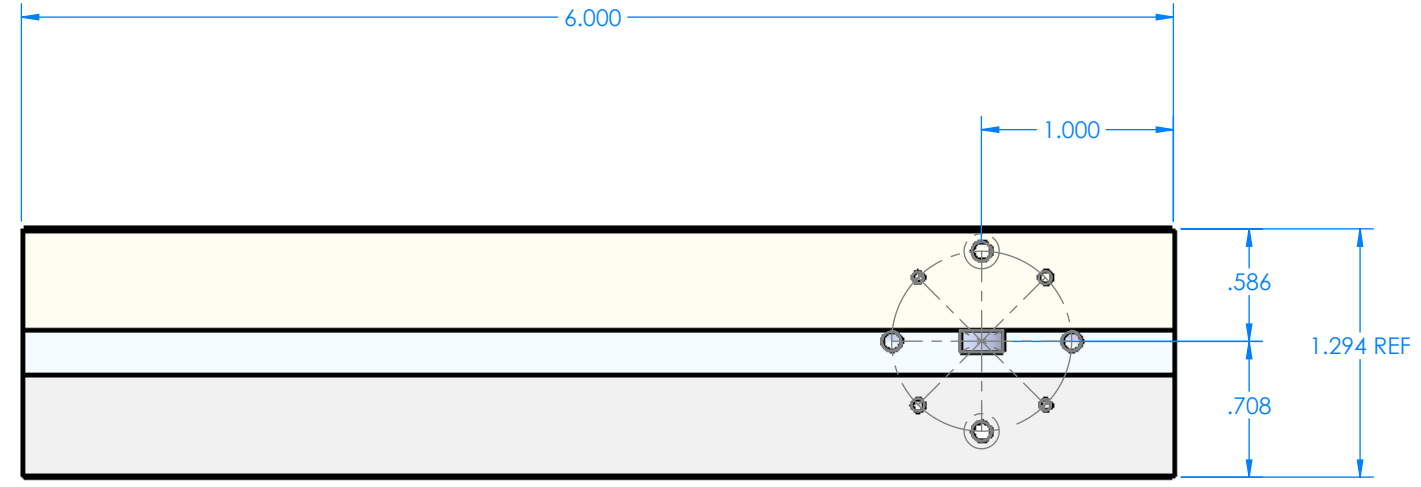
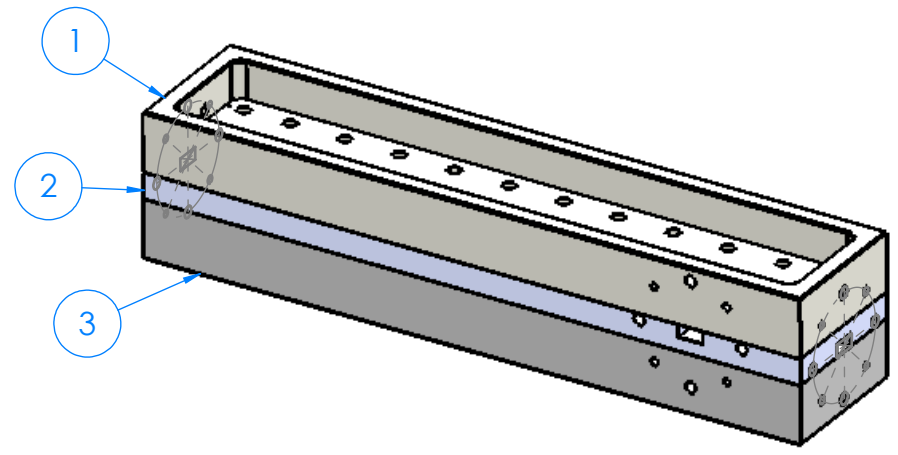
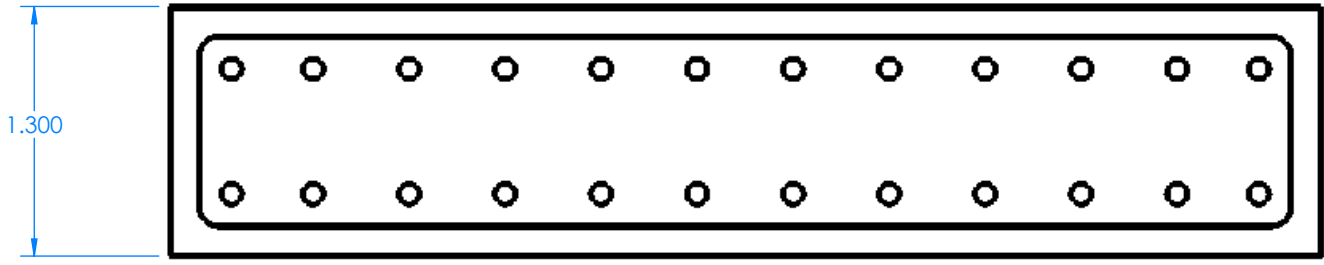
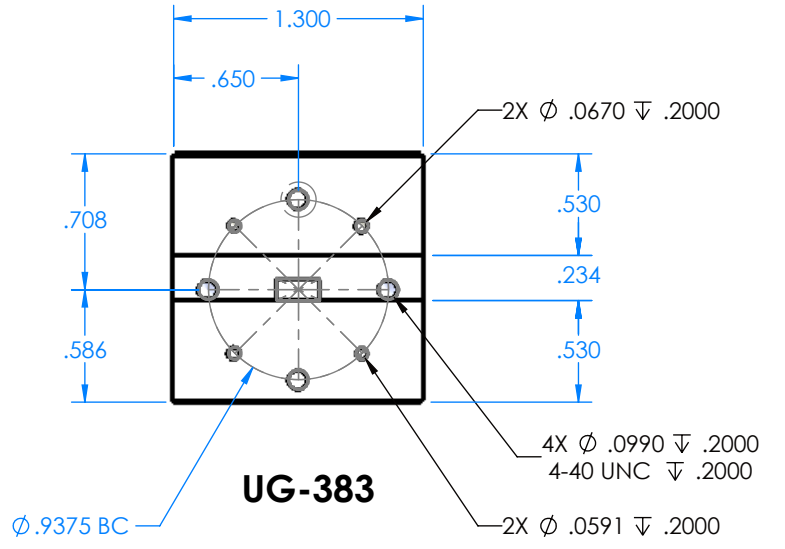


REVISIONS			
REV	DESCRIPTION	DATE	APPROVED
-	-	-	-

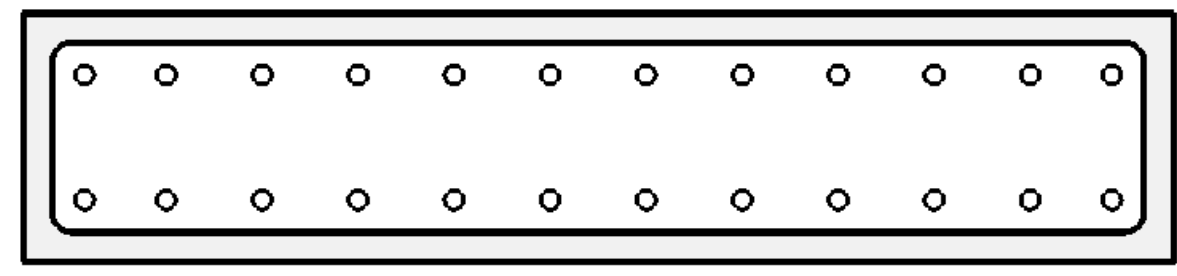


UG-383

UG-383



UG-383



BOM Table		
ITEM NO.	PART NUMBER	QTY.
1	561B_10-40_383-TOP BLOCK_23478	1
2	561B_10_383-MIDDLE BLOCK_23479	1
3	561B_10-40_383-BOTTOM BLOCK_23480	1
4	B-band tapered load_21668	1

DECIMALS: XXXX ±.0005 XXX ±.005 XX ±.01	ANGLES: ±.5 DEGRESS	THIRD ANGLE PROJECTION	<table border="1"> <tr> <td>NAME</td> <td>DATE</td> </tr> <tr> <td>JV</td> <td>1-27-17</td> </tr> <tr> <td>CHECKED</td> <td>MS</td> </tr> <tr> <td>ENG</td> <td>MS</td> </tr> </table>	NAME	DATE	JV	1-27-17	CHECKED	MS	ENG	MS	<table border="1"> <tr> <td>TITLE:</td> <td>Mi-Wave Millimeter Products Inc.</td> </tr> <tr> <td>SIZE</td> <td>A</td> </tr> <tr> <td>DWG. NO.</td> <td>561B_10-40_383_OUTLINE_23482</td> </tr> <tr> <td>SCALE:</td> <td>1:1</td> </tr> <tr> <td>WEIGHT:</td> <td></td> </tr> </table>	TITLE:	Mi-Wave Millimeter Products Inc.	SIZE	A	DWG. NO.	561B_10-40_383_OUTLINE_23482	SCALE:	1:1	WEIGHT:		<table border="1"> <tr> <td>MATL:</td> <td>6061 T6 ALUMINUM</td> </tr> </table>	MATL:	6061 T6 ALUMINUM	<table border="1"> <tr> <td>REV</td> <td></td> </tr> </table>	REV		SHEET 1 OF 1
NAME	DATE																												
JV	1-27-17																												
CHECKED	MS																												
ENG	MS																												
TITLE:	Mi-Wave Millimeter Products Inc.																												
SIZE	A																												
DWG. NO.	561B_10-40_383_OUTLINE_23482																												
SCALE:	1:1																												
WEIGHT:																													
MATL:	6061 T6 ALUMINUM																												
REV																													