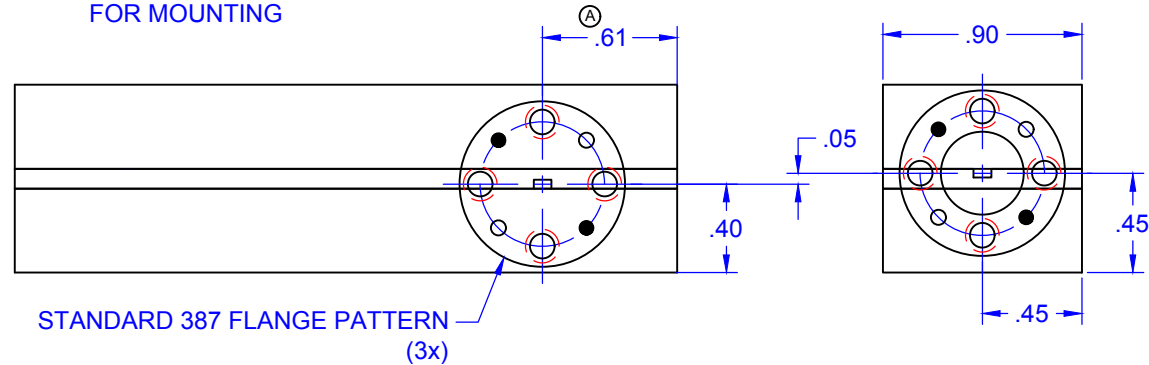
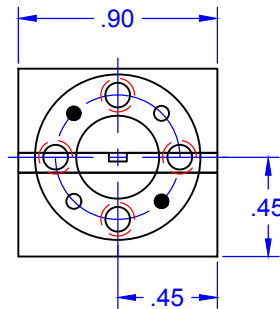
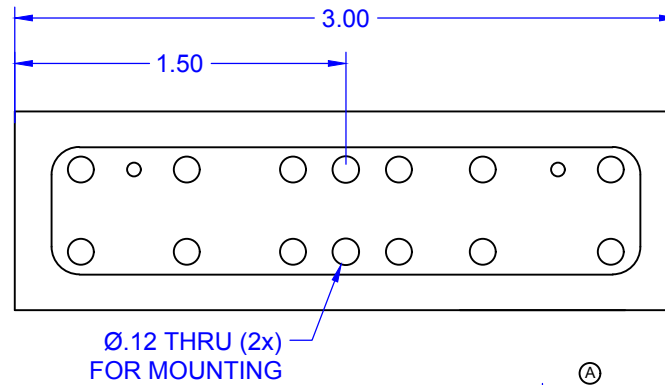
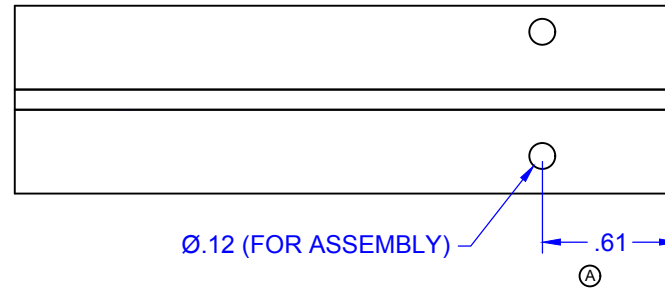


REVISIONS			
REV	DESCRIPTION	DATE	APPROVED
A	.610 WAS .510	5-31-12	--



QTY	PART NUMBER	OUTLINE DESCRIPTION	ITEM
UNLESS OTHERWISE SPECIFIED	 THIRD ANGLE PROJECTION	<b>Mi-Wave</b> Millimeter Products Inc.  TITLE <b>561F/387 OUTLINE</b>	
ALL SURFACES $\sqrt{32}$			
DIMENSIONS ARE IN INCHES			
TOLERANCES ARE:			
DECIMALS: .1234 +/- .0005 .123 +/- .005 .12 +/- .01			
ANGLES: +/- .5 DEGREES	DRAFTING: MRN	APPROVED: M.S.	DATE: 12/29/2011
ALL THREADS TO BE 2A OR 2B	SHEET NO. 1	OF 1	SIZE A
REF DWG# 14384		DWG NO 21588	