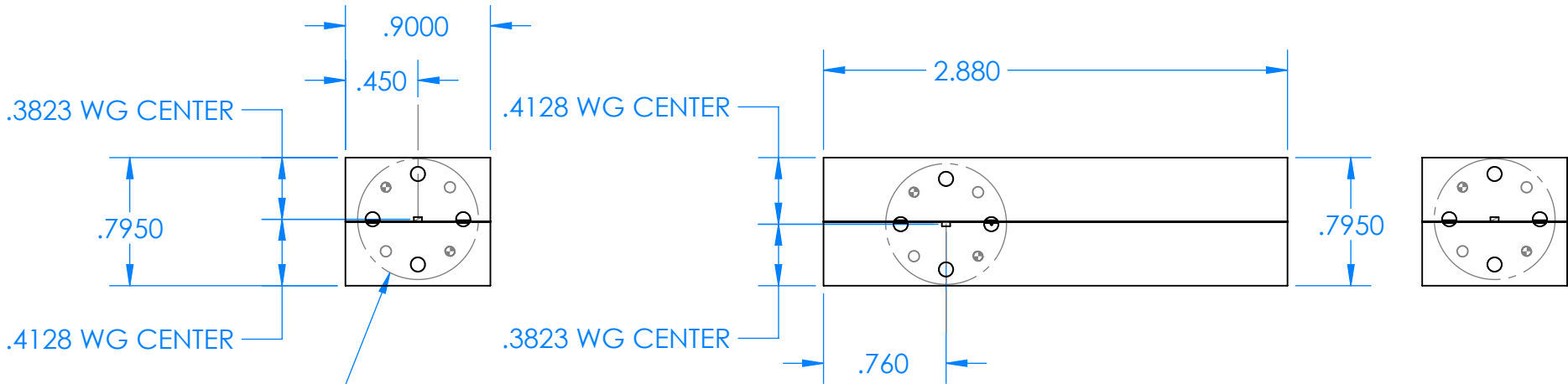
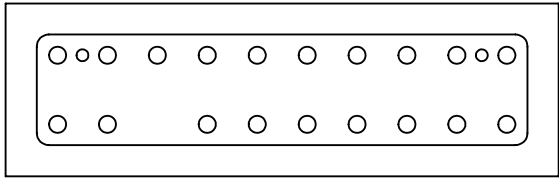
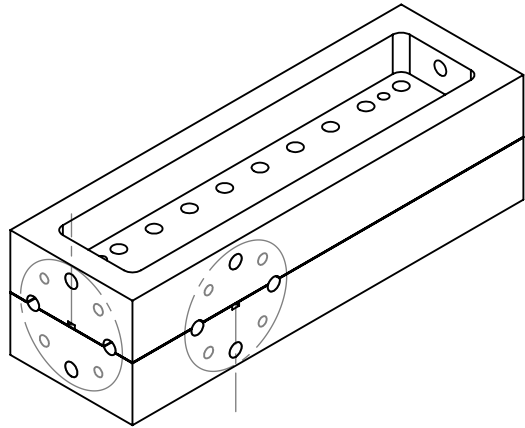
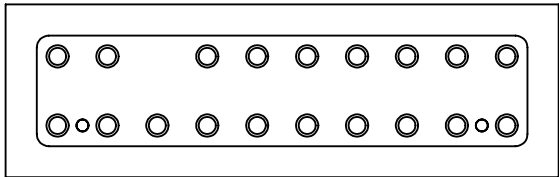


REVISIONS			
REV	DESCRIPTION	DATE	APPROVED
--	--	--	--



UG-387  
(3) PLS



DECIMALS: XXXX  $\pm .0005$   
 XXX  $\pm .005$   
 XX  $\pm .01$   
 ANGLES:  $\pm .5$  DEGREE

THIRD ANGLE PROJECTION

	NAME	DATE
DRAWN	JV	4-14-15
CHECKED	MS	4-14-15
ENG	MS	4-14-15

MATL:  
1/2 HARD BRASS

TITLE: Mi-Wave Millimeter Products Inc.

SIZE DWG. NO. A 561G-ASSEMBLY\_OUTLINE\_22814

SCALE: 1:1

WEIGHT:

REV

SHEET 1 OF 1