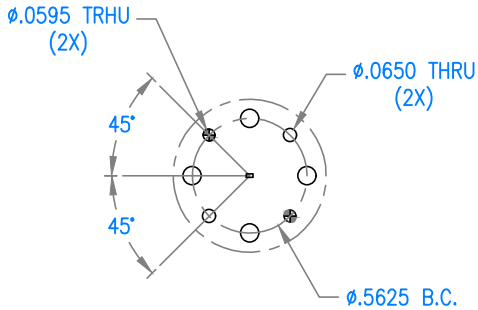
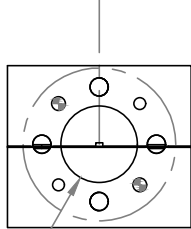
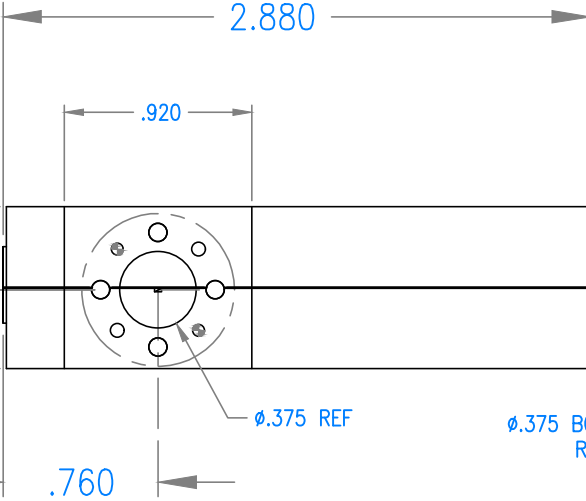
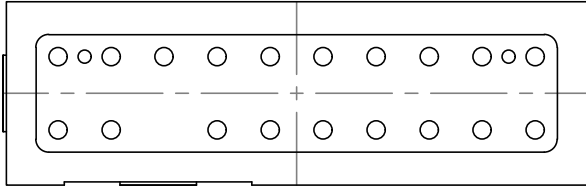


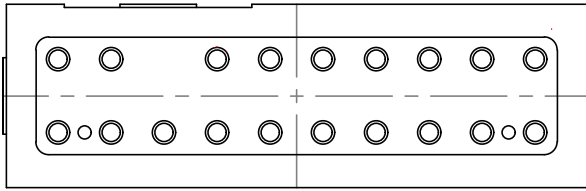
$\phi .0890 \times \phi .089 \nabla .190$   
 4-40 UNC  $\nabla .175$   
 (6X)  
 $\phi .0890$  DRILL THRU  
 TAP #4-40 THRU  
 (6X)



387 FLANGE



$\phi .375$  BOTH ENDS REF



DECIMALS: XXXX ±.0005 XXX ±.005 XX ±.01	DRAWN: JV	NAME: MS	DATE: 12-18-15
ANGLES: ± .5 DEGREE	CHECKED: MS	ENG: MS	DATE: 12-18-15
THIRD ANGLE PROJECTION	MATERIAL: 1/2 HARD BRASS		

TITLE: Mi-Wave Millimeter Products Inc.		REV
SIZE: A	DWG. NO. 561J-387_OUTLINE	
SCALE: 1:1	WEIGHT:	SHEET 1 OF 1