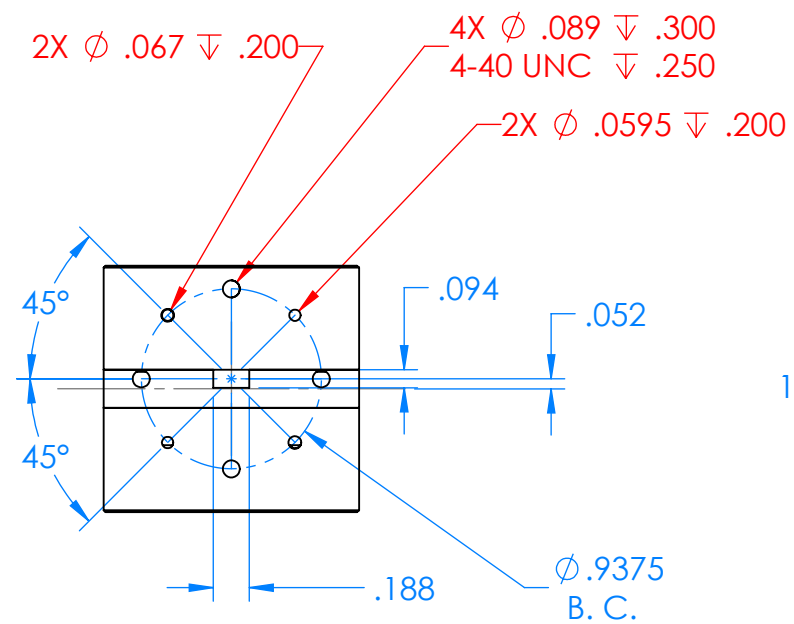
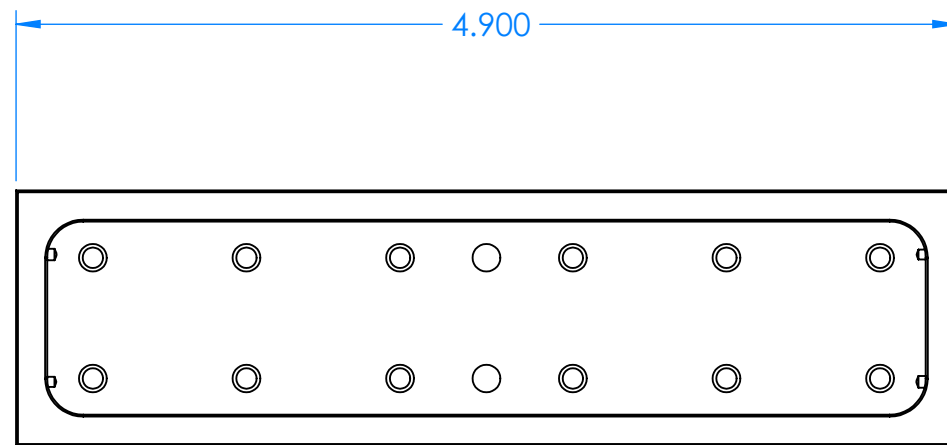
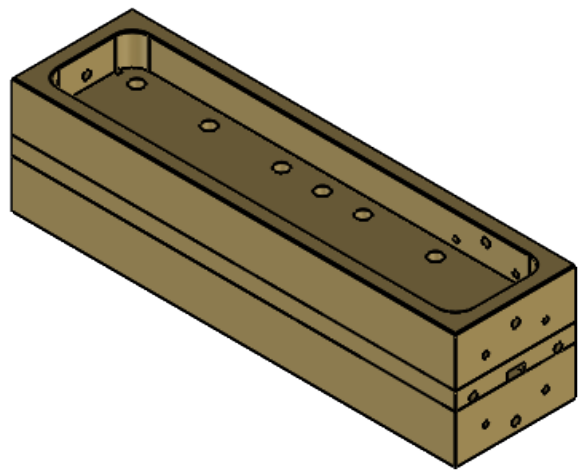
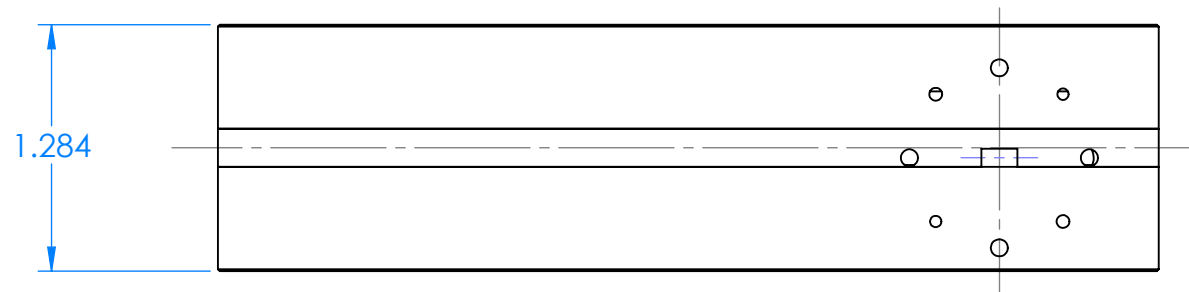


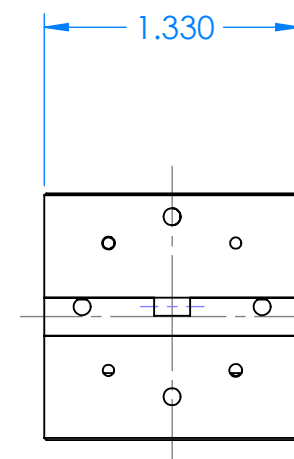
REVISIONS			
REV	DESCRIPTION	DATE	APPROVED
-	-	-	-



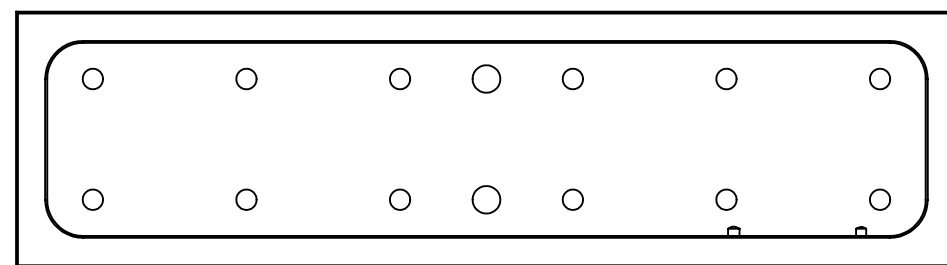
UG-383 FLANGE



UG-383 FLANGE



UG-383 FLANGE



DECIMALS: XXXX ±.0005 XXX ±.005 XX ±.01	ANGLES: ±.5 DEGREES	THIRD ANGLE PROJECTION	DRAWN: CC 12-9-19	CHECKED: MS 12-9-19	ENG: LS 12-9-19	MATL:	NAME: CC	DATE: 12-9-19	TITLE: Millimeter Wave Products Inc.	SIZE: B	DWG. NO.: 561U_3-50db_383_OUTLINE_25476	REV: -
							SCALE: 1:1	WEIGHT:		SHEET 1 OF 1		