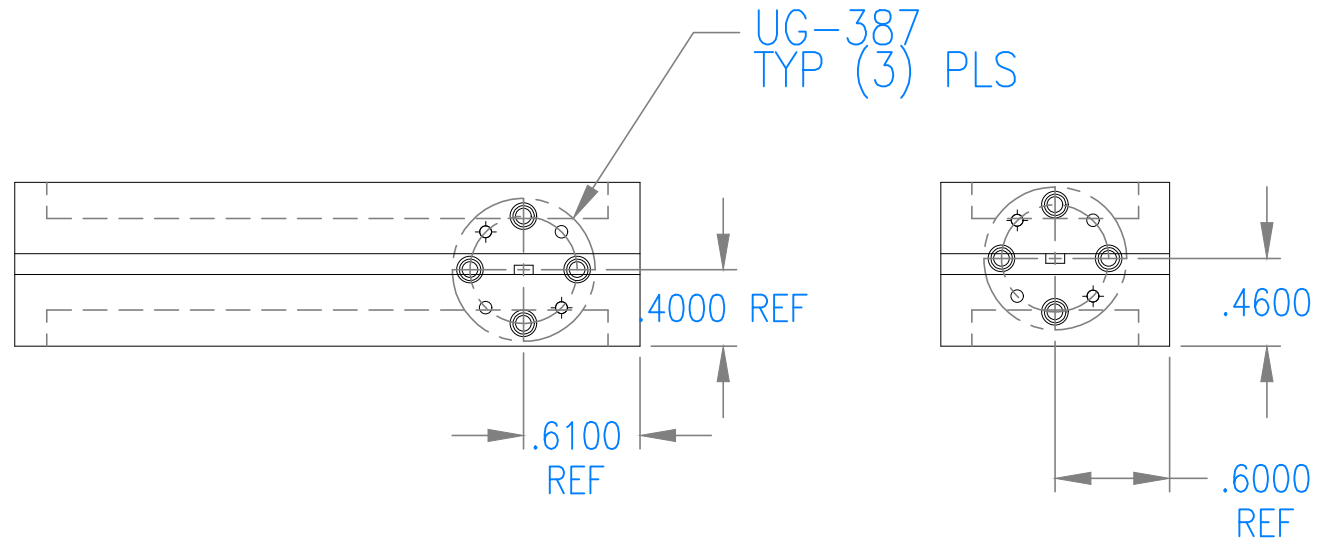
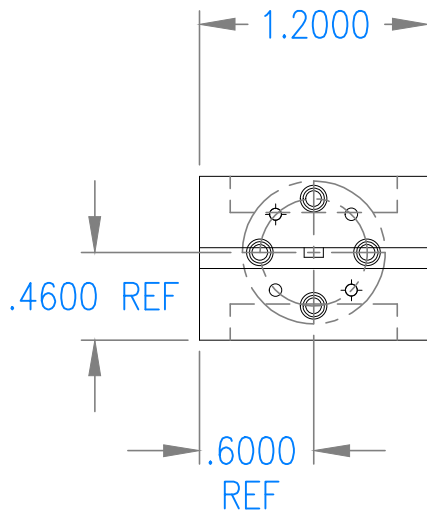
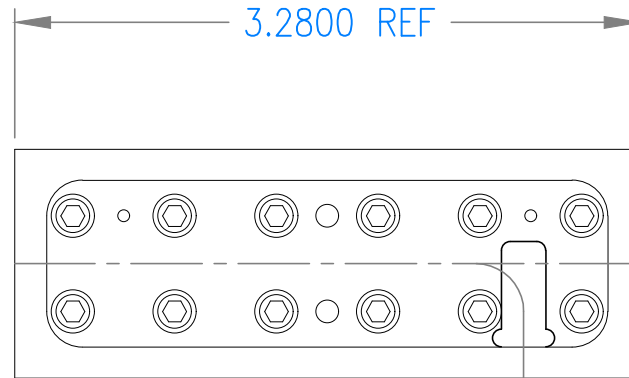
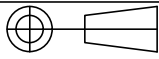


REVISIONS				
ZONE	REV	DESCRIPTION	DATE	APPROVED
-	A	SEE ECN 14397-A	01-08-09	MARK S



QTY	PART NUMBER	DESCRIPTION	ITEM
UNLESS OTHERWISE SPECIFIED	32	 THIRD ANGLE PROJECTION DRAFTING	<i>Mi-Wave Millimeter Products inc.</i> TITLE 561-W/387 OUTLINE
ALL SURFACES			
DIMENSIONS ARE IN INCHES TOLERANCES ARE: DECIMALS: .1234 +/- .0005 .123 +/- .005 .12 +/- .01 ANGLES: +/- .5 DEGREES		JV ENGINEERING - MANUFACTURING -	4-30-14 - - -
ALL THREADS TO BE 2A OR 2B		SIZE	REV
DO NOT SCALE DRAWING	CATALOG# -	A	A
		DWG NO	SCALE 1/1 SHEET 1 OF 03
		22316	