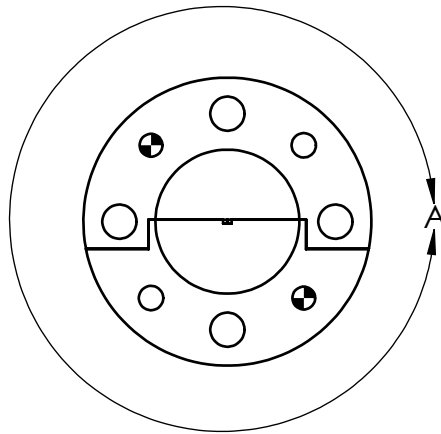
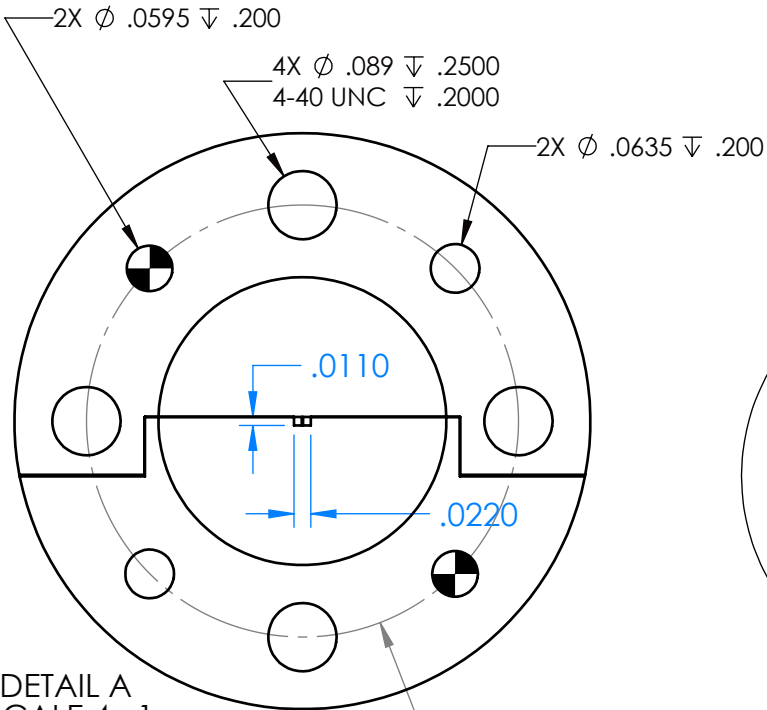
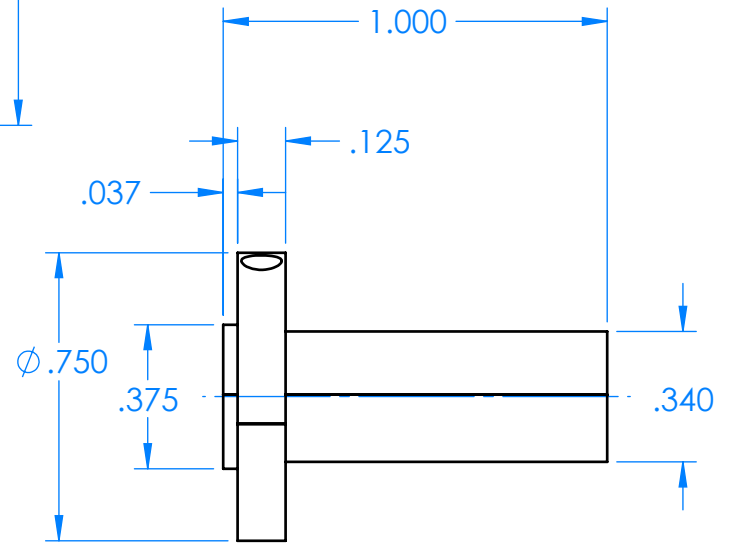
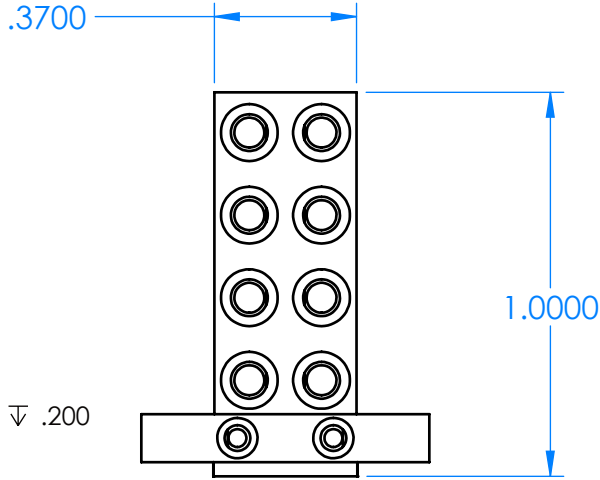
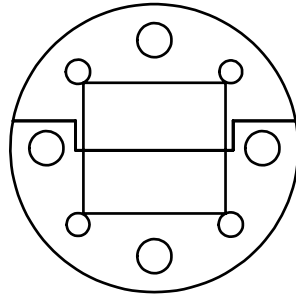
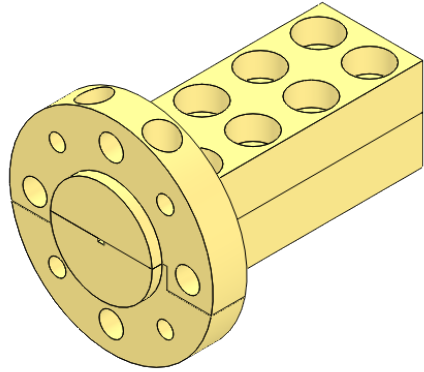


REVISIONS			
REV	DESCRIPTION	DATE	APPROVED
-	-	-	-



DETAIL A  
SCALE 4 : 1

# UG-387 FLANGE

Ø .5625

DECIMALS: XXXX ±.0005 XXX ±.005 XX ±.01	ANGLES: ± .5 DEGREE	THIRD ANGLE PROJECTION	<table border="1"> <tr> <td>NAME</td> <td>DATE</td> </tr> <tr> <td>DRAWN JV</td> <td>3-25-19</td> </tr> <tr> <td>CHECKED MS</td> <td>3-25-19</td> </tr> <tr> <td>ENG LS</td> <td>3-25-19</td> </tr> </table>	NAME	DATE	DRAWN JV	3-25-19	CHECKED MS	3-25-19	ENG LS	3-25-19
NAME	DATE										
DRAWN JV	3-25-19										
CHECKED MS	3-25-19										
ENG LS	3-25-19										
MATERIAL: <b>1/2 HARD BRASS</b>											

TITLE: <b>Millimeter Wave Products Inc.</b>		REV
SIZE: <b>A</b>	DWG. NO. <b>580 WR-2.2_1.00-387_OUTLINE_24610</b>	-
SCALE: 2:1	WEIGHT:	SHEET 1 OF 1