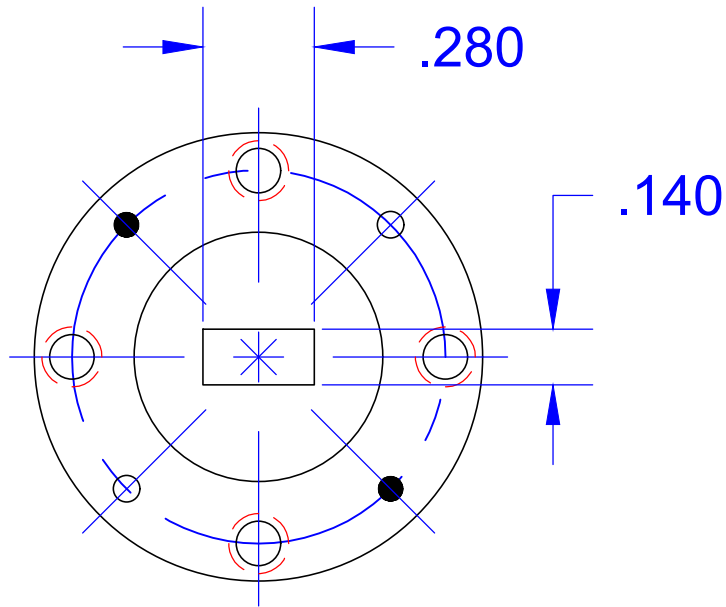
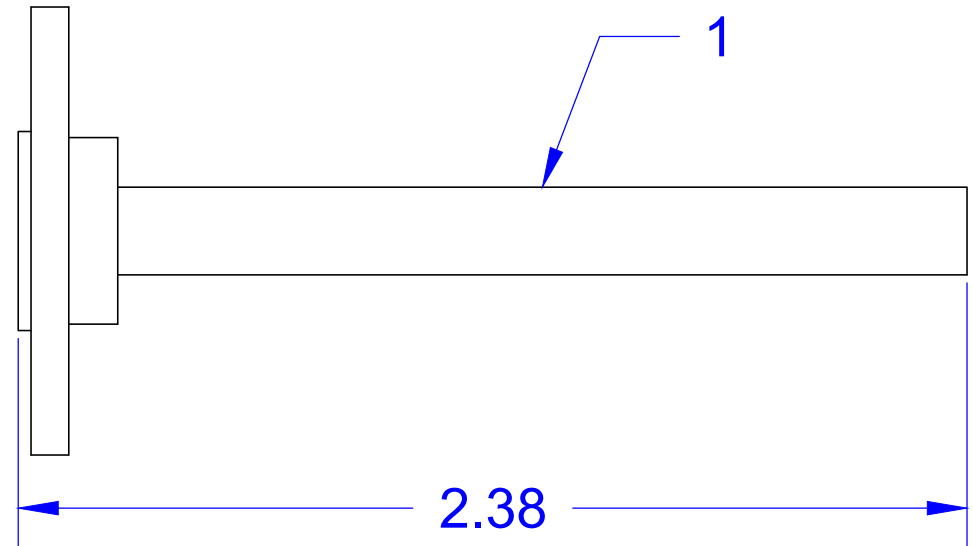


REVISIONS			
REV	DESCRIPTION	DATE	APPROVED
--	--	--	--



UG-381



1	STOCK	UG599 FLANGE		2
1	STOCK	WR-28 WAVEGUIDE		1
QTY	PART NUMBER	DESCRIPTION		ITEM
UNLESS OTHERWISE SPECIFIED ALL SURFACES 32/		 THIRD ANGLE PROJECTION	Mi-Wave Millimeter Products Inc. TITLE 580A/381 TERMINATION OUTLINE	
DIMENSIONS ARE IN INCHES TOLERANCES ARE: DECIMALS: .1234 +/- .0005 .123 +/- .005 .12 +/- .01 ANGLES: +/- .5 DEGREES				
ALL THREADS TO BE 2A OR 2B		DATE: 10/30/20		
REF DWG# --	SHEET NO. 1	OF 1	SIZE A	DWG NO 25565
ORIGINAL DWG# 20183				