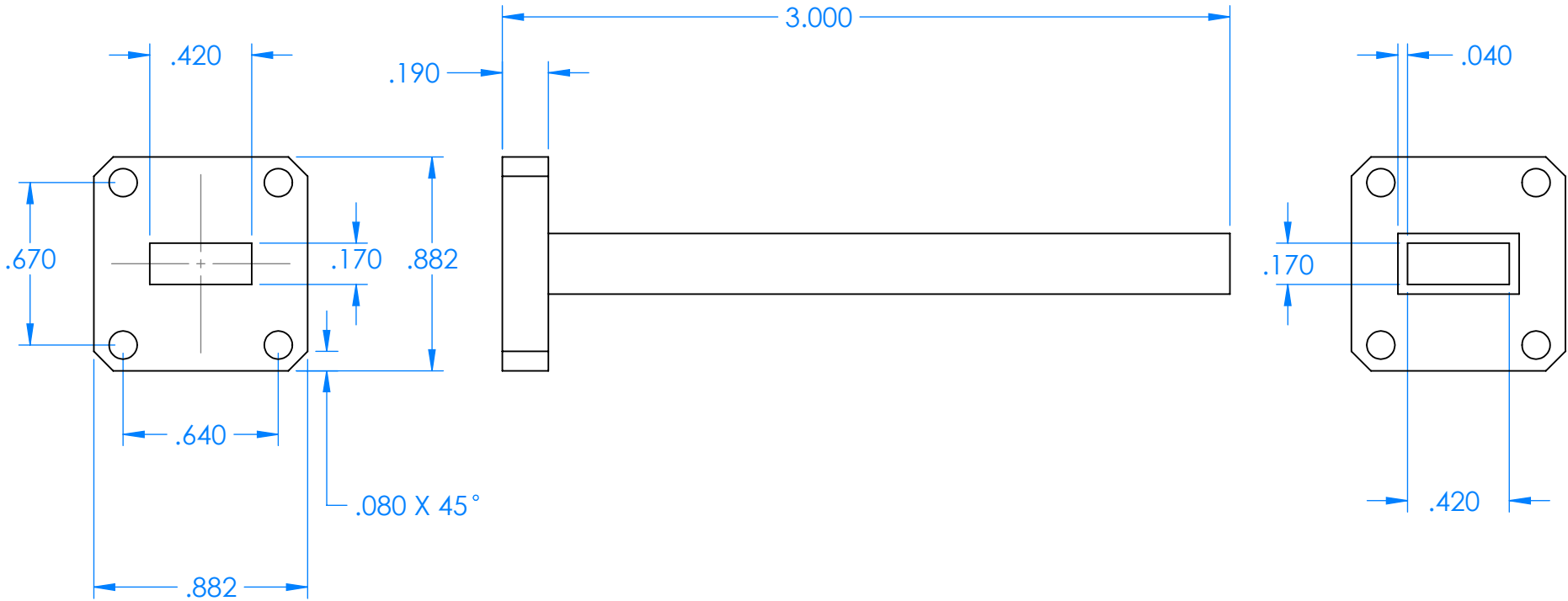
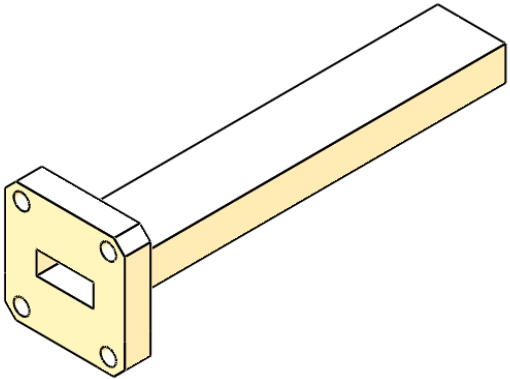


REVISIONS			
REV	DESCRIPTION	DATE	APPROVED
-	-	-	-



DECIMALS: XXXX ±.0005 XXX ±.005 XX ±.01	DRAWN	JV	8-22-18
ANGLES: ± .5 DEGRESS	CHECKED	MS	8-22-18
THIRD ANGLE PROJECTION	ENG	MS	8-22-18
	MATL:	1/2 HARD BRASS	

TITLE:	Mi-Wave Millimeter Products Inc.		
SIZE	DWG. NO.	580K-595_24248	REV
A			-
SCALE: 3:2	WEIGHT:		SHEET 1 OF 1