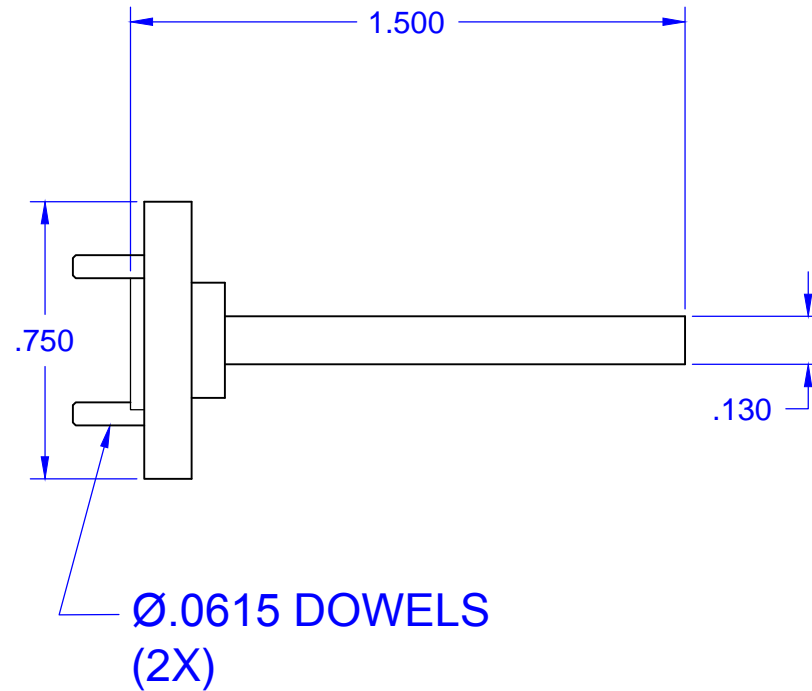
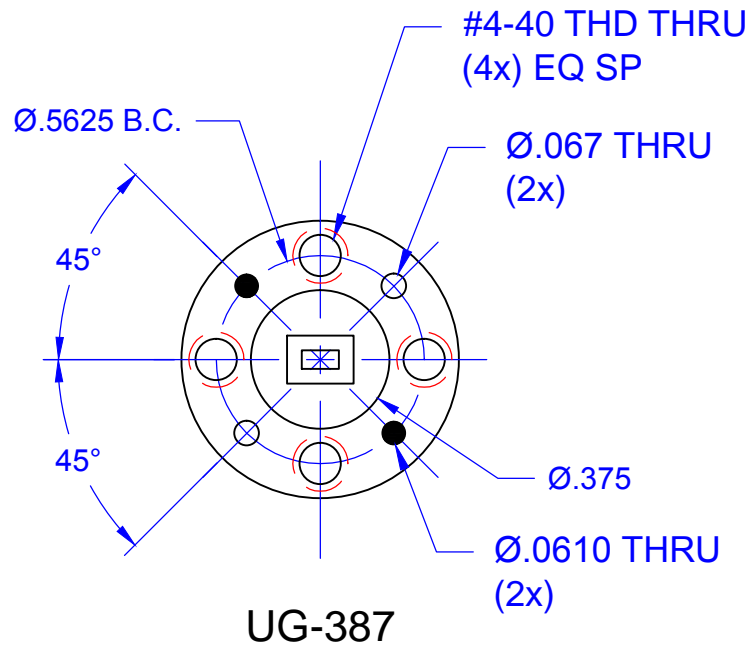
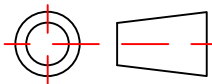


REVISIONS			
REV	DESCRIPTION	DATE	APPROVED
--	--	--	--



ALL DIMENSIONS ARE
REFERENCE ONLY

1	STOCK	UG387 FLANGE	2
1	STOCK	WR-10 WAVEGUIDE	1
QTY	PART NUMBER	DESCRIPTION	ITEM
UNLESS OTHERWISE SPECIFIED ALL SURFACES $\sqrt{32}$		 Mi-Wave Millimeter Products Inc.	
DIMENSIONS ARE IN INCHES TOLERANCES ARE: DECIMALS: .1234 +/- .0005 .123 +/- .005 .12 +/- .01 ANGLES: +/- .5 DEGREES		TITLE 580W-387 OUTLINE	
ALL THREADS TO BE 2A OR 2B		SHEET NO.	OF
REF DWG# --		1	1
SIZE	DWG NO	23060	
A			