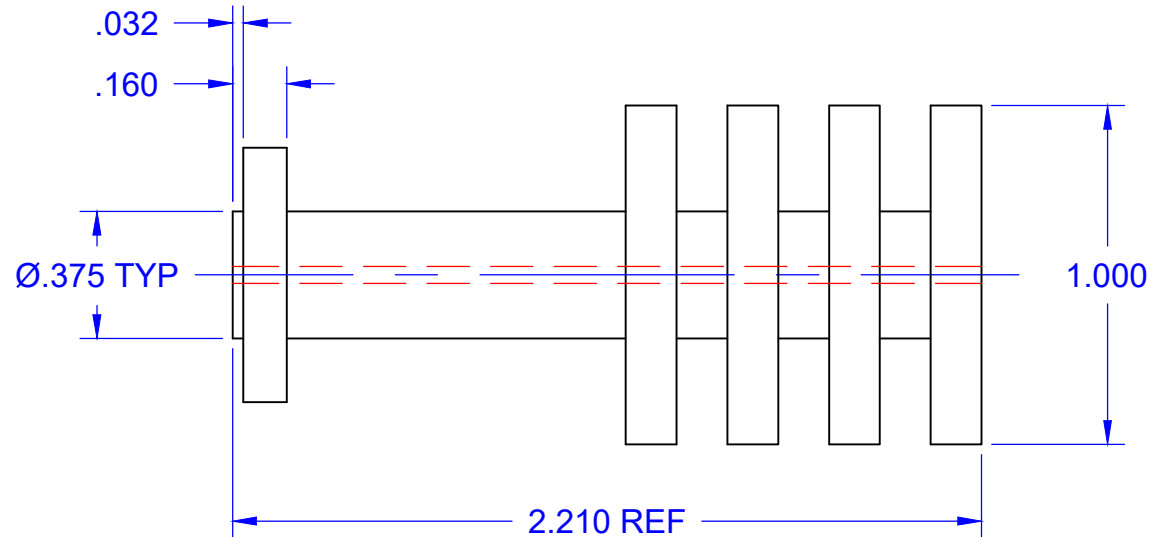
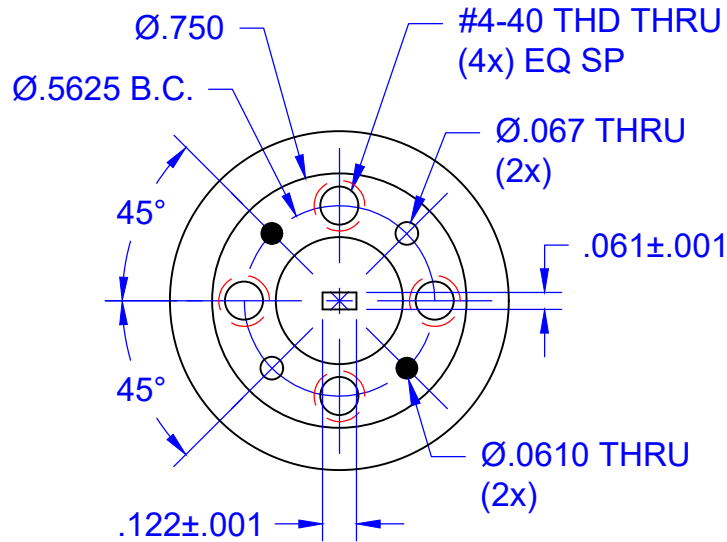
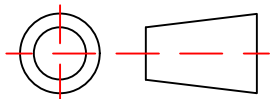


REVISIONS			
REV	DESCRIPTION	DATE	APPROVED
--	--	--	--



QTY	PART NUMBER	MATERIAL: 6061-T6 ALUMINUM		ITEM		
--	--	DESCRIPTION		--		
UNLESS OTHERWISE SPECIFIED ALL SURFACES $\sqrt{32}$		 <p>THIRD ANGLE PROJECTION</p> <p><b>Mi-Wave</b> Millimeter Products Inc.</p> <p>TITLE</p> <p><b>581E/387 OUTLINE</b></p>				
DIMENSIONS ARE IN INCHES TOLERANCES ARE: DECIMALS: $.1234 \pm .0005$ $.123 \pm .005$ $.12 \pm .01$ ANGLES: $\pm .5$ DEGREES					DRAFTING: K.S.	
ALL THREADS TO BE 2A OR 2B					APPROVED: M.S.	
REF DWG#: --					DATE: 4/23/2013	
		SHEET NO.	OF	SIZE	DWG NO	
		1	1	A	25576	