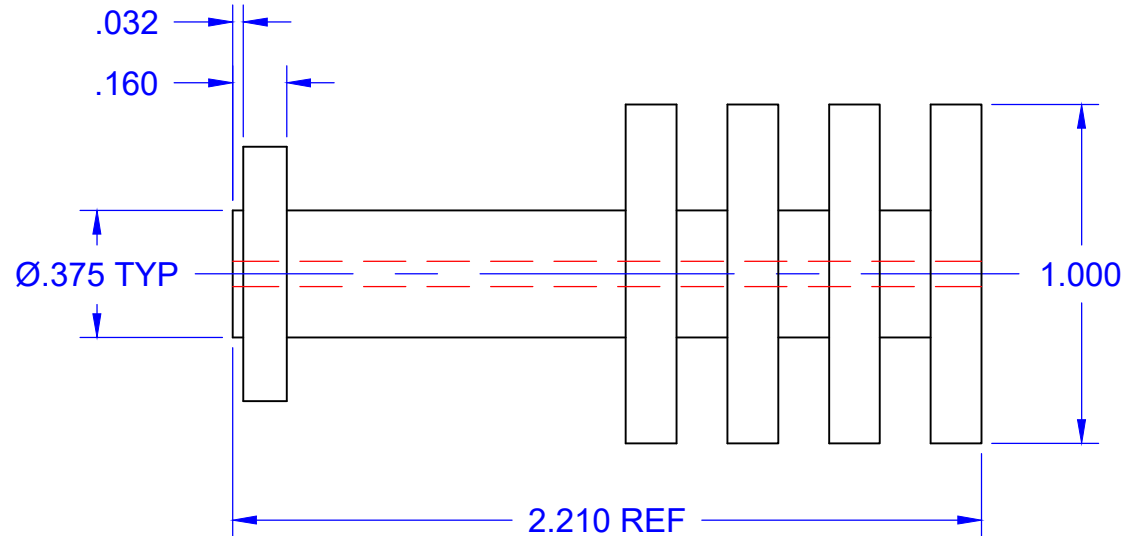
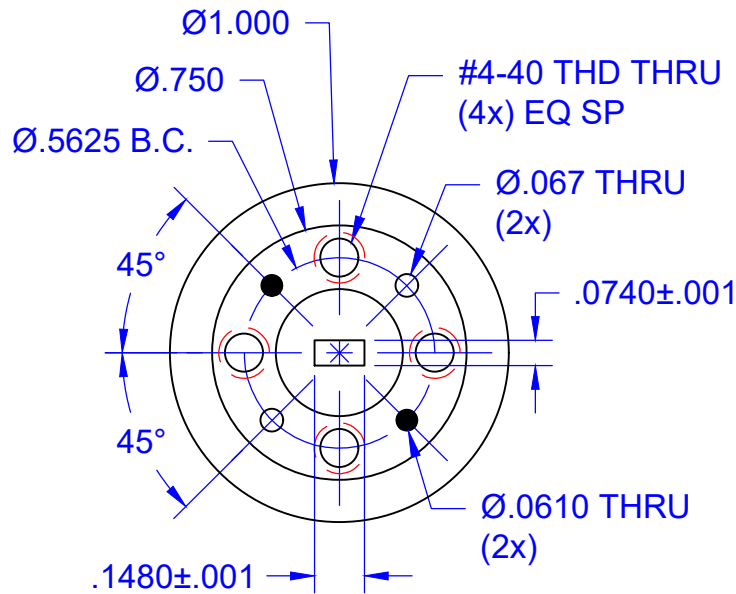
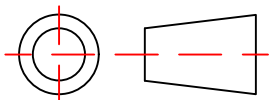


REVISIONS			
REV	DESCRIPTION	DATE	APPROVED
--	--	--	--



--	--	MATERIAL: 6061-T6 ALUMINUM		--	
QTY	PART NUMBER	DESCRIPTION		ITEM	
UNLESS OTHERWISE SPECIFIED ALL SURFACES $\sqrt{32}$		 THIRD ANGLE PROJECTION			
DIMENSIONS ARE IN INCHES TOLERANCES ARE: DECIMALS: $.1234 \pm .0005$ $.123 \pm .005$ $.12 \pm .01$ ANGLES: $\pm .5$ DEGREES					
ALL THREADS TO BE 2A OR 2B		DRAFTING: K.S.	<b>Mi-Wave</b> Millimeter Products Inc.  TITLE <b>581V/385</b> <b>OUTLINE</b>		
REF DWG#: --		APPROVED: M.S.			
		DATE: 1/23/2013			
		SHEET NO. 1	OF 1	SIZE A	DWG NO 25582