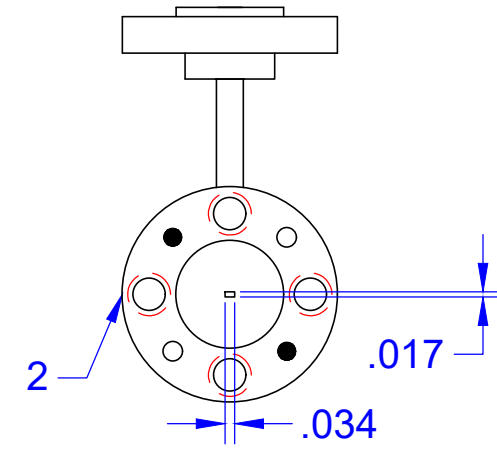
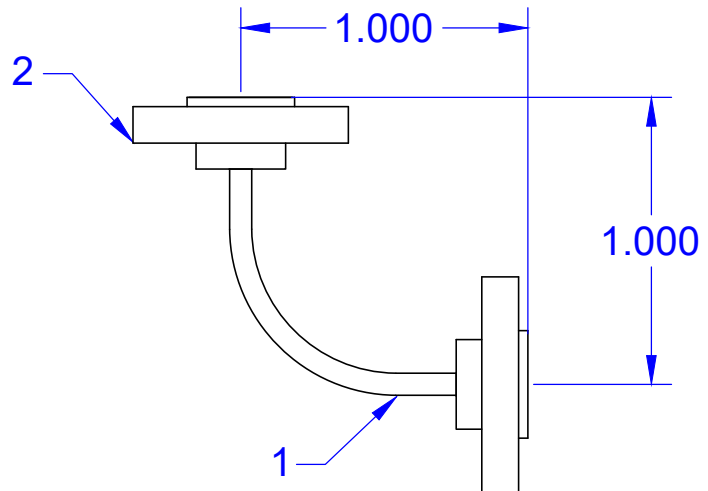


REVISIONS			
REV	DESCRIPTION	DATE	APPROVED
--	--	--	--



2	STOCK	UG387 FLANGE		2
1	STOCK	WR-3 WAVEGUIDE		1
QTY	PART NUMBER	DESCRIPTION		ITEM
UNLESS OTHERWISE SPECIFIED ALL SURFACES $\sqrt{32}$				
DIMENSIONS ARE IN INCHES TOLERANCES ARE: DECIMALS: .1234 +/- .0005 .123 +/- .005 .12 +/- .01 ANGLES: +/- .5 DEGREES				
ALL THREADS TO BE 2A OR 2B				
REF DWG# --	SHEET NO. 1		OF 1	SIZE A
ORIGINAL DWG# 20164	DATE: 7/20/2015		APPROVED: M.S.	DWG NO 26213
THIRD ANGLE PROJECTION		Mi-Wave Millimeter Products Inc.		
DRAFTING: K.S.		TITLE 660J(WR-3)/387 E PLANE BEND OUTLINE		
APPROVED: M.S.				