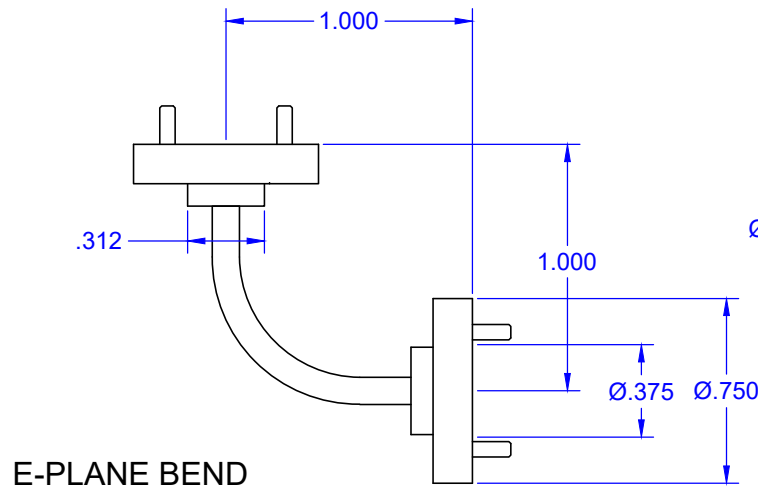
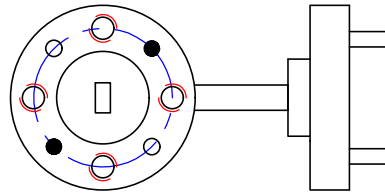
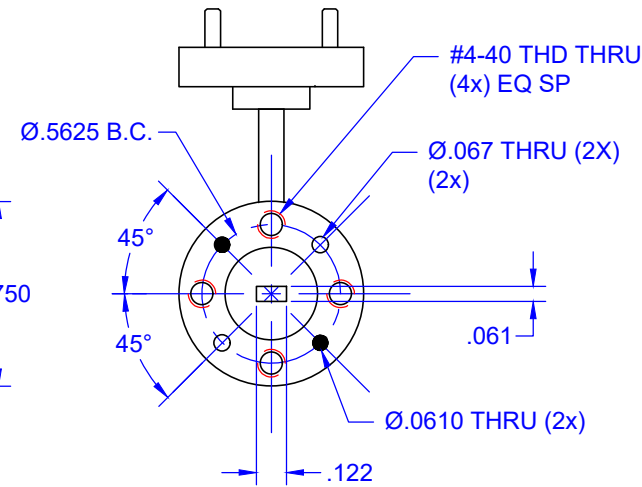


REVISIONS			
REV	DESCRIPTION	DATE	APPROVED
--	--	--	--



E-PLANE BEND

UG-387 FLANGE



UG-387 FLANGE

ALL DIMENSIONS ARE REFERENCE ONLY

UNLESS OTHERWISE SPECIFIED ALL SURFACES $\sqrt{32}$	 THIRD ANGLE PROJECTION	Mi-Wave Millimeter Products Inc.	
		TITLE	
DIMENSIONS ARE IN INCHES TOLERANCES ARE: DECIMALS: .1234 +/- .0005 .123 +/- .005 .12 +/- .01 ANGLES: +/- .5 DEGREES	DRAFTING: C.C.	660E-387 OUTLINE	
	APPROVED: M.S.		
	DATE: 9-26-18		
ALL THREADS TO BE 2A OR 2B	SHEET NO. 1	OF 1	SIZE DWG NO A 25554
REF DWG #: 12171			