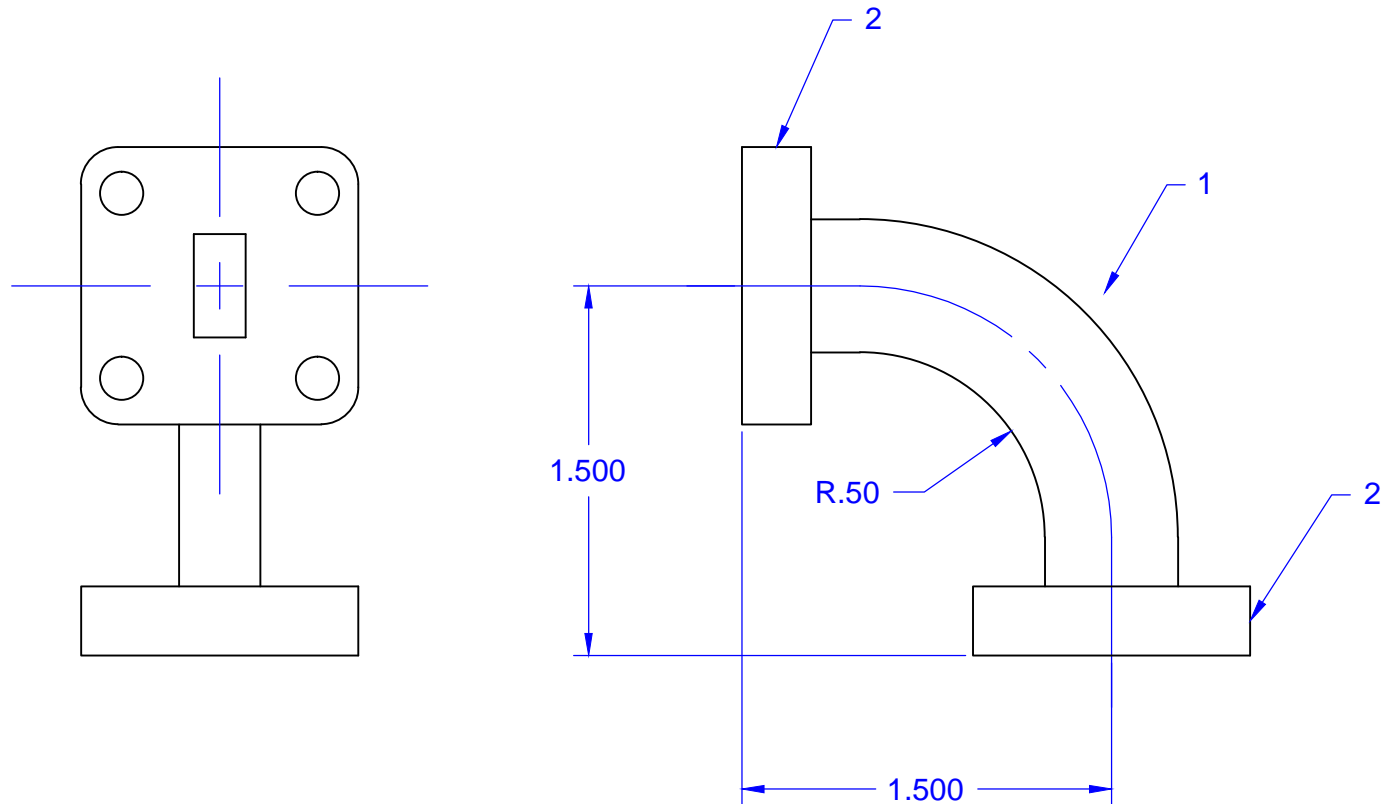


REVISIONS			
REV	DESCRIPTION	DATE	APPROVED
--	--	--	--



2	STOCK	UG599 FLANGE	2
1	STOCK	WR-28 WAVEGUIDE	1
QTY	PART NUMBER	DESCRIPTION	ITEM
UNLESS OTHERWISE SPECIFIED ALL SURFACES $\sqrt{32}$		 THIRD ANGLE PROJECTION	Mi-Wave Millimeter Products Inc. TITLE 670A-1.50/599 OUTLINE H-PLANE BEND
DIMENSIONS ARE IN INCHES TOLERANCES ARE: DECIMALS: .1234 +/- .0005 .123 +/- .005 .12 +/- .01 ANGLES: +/- .5 DEGREES			
ALL THREADS TO BE 2A OR 2B		DATE: 7/15/2010	
REF DWG# --	SHEET NO.	OF	SIZE
ORIGINAL DWG# 20182	1	1	DWG NO
			A 24823