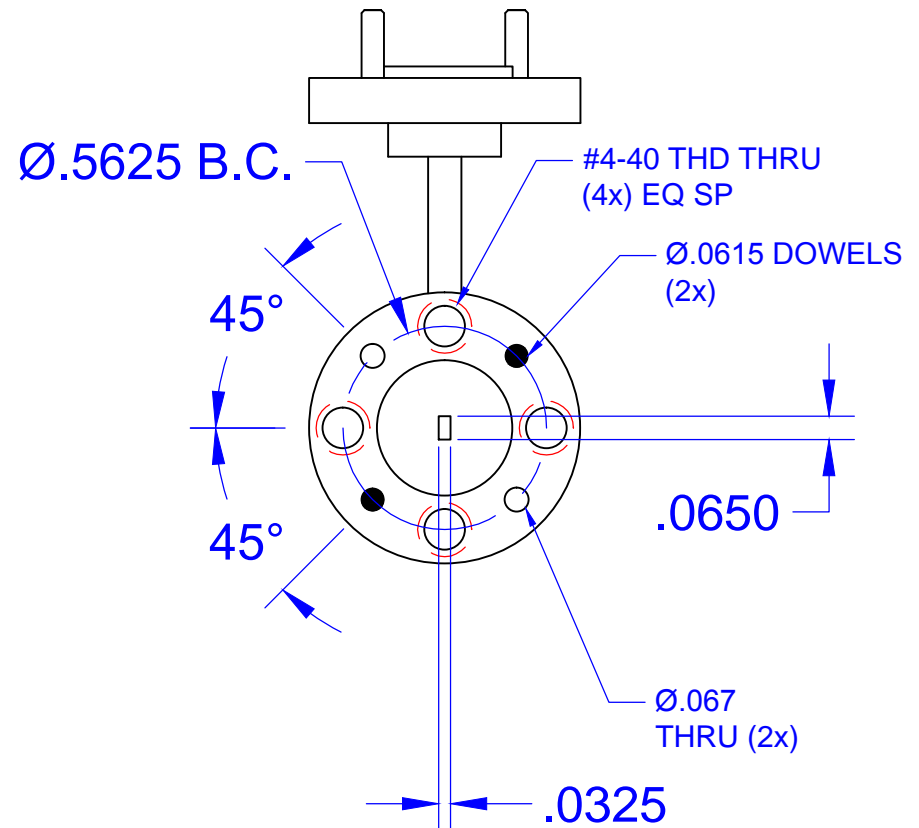
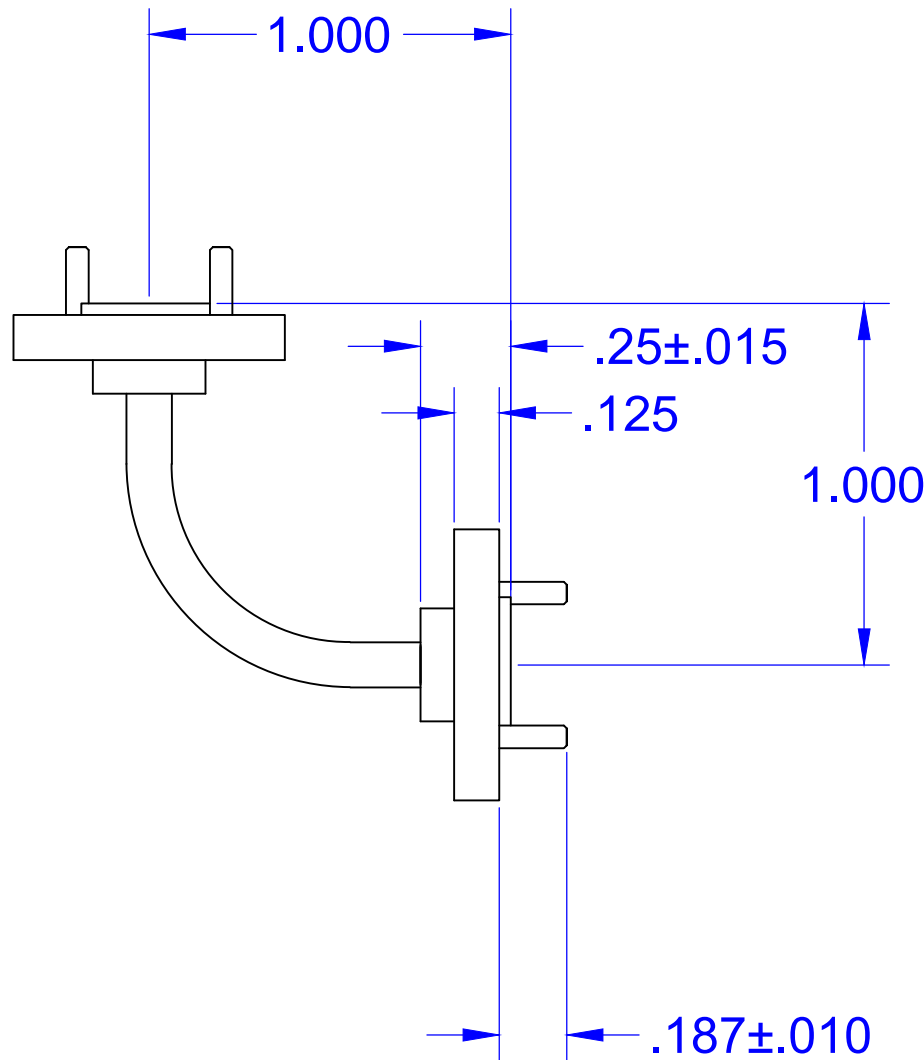
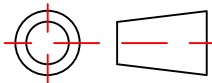


REVISIONS			
REV	DESCRIPTION	DATE	APPROVED
--	--	--	--



UNLESS OTHERWISE SPECIFIED ALL SURFACES $\sqrt{32}$		 THIRD ANGLE PROJECTION	Mi-Wave Millimeter Products Inc.	
DIMENSIONS ARE IN INCHES TOLERANCES ARE: DECIMALS: .1234 +/- .0005 .123 +/- .005 .12 +/- .01 ANGLES: +/- .5 DEGREES			TITLE 670D/387 H PLANE BEND OUTLINE	
ALL THREADS TO BE 2A OR 2B		DRAFTING: K.S.		SIZE A
REF DWG# --		APPROVED: M.S.		
ORIGINAL DWG# 20164		DATE: 6/10/2010		DWG NO 24851
		SHEET NO. 1	OF 1	