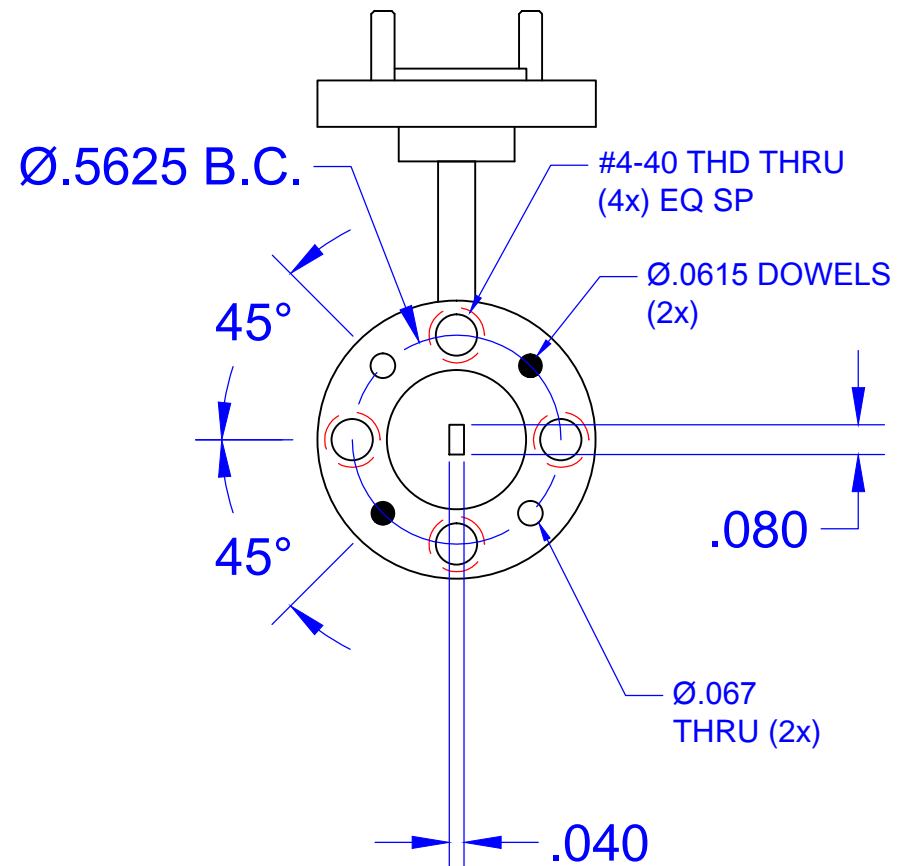
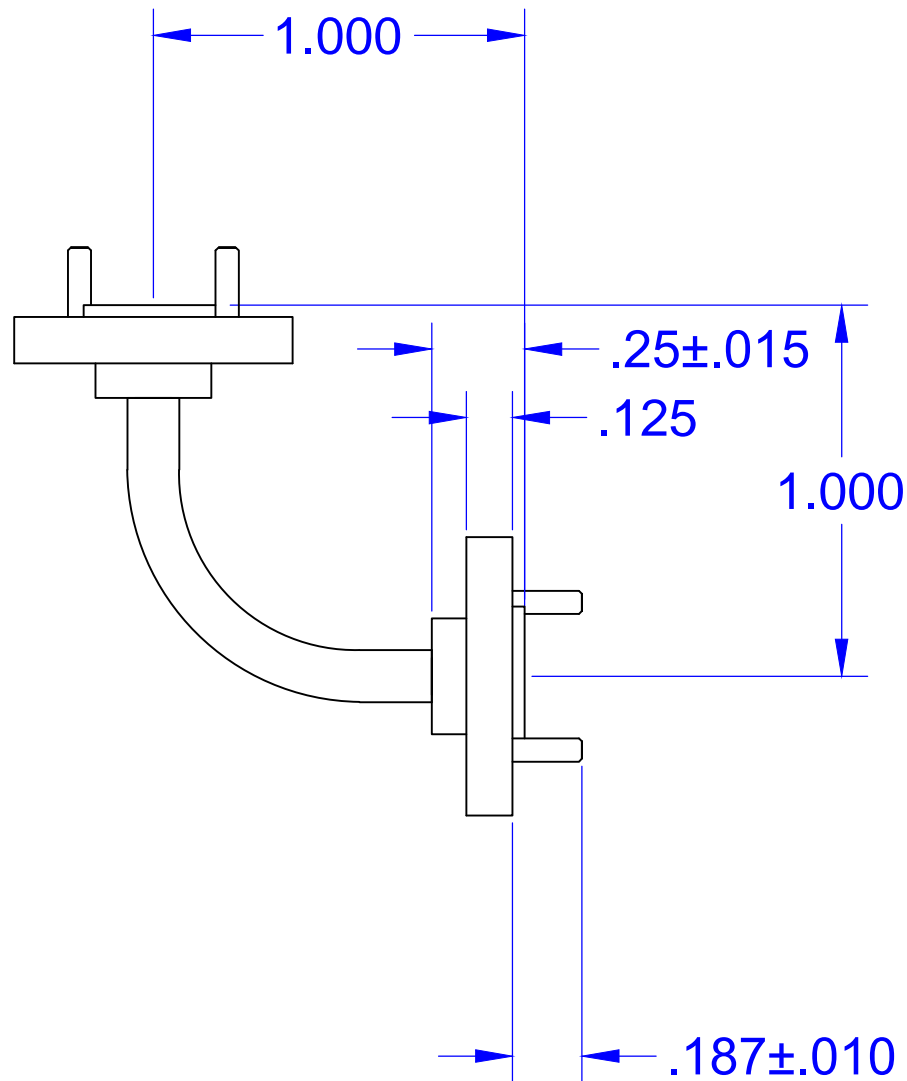
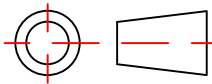


REVISIONS			
REV	DESCRIPTION	DATE	APPROVED
--	--	--	--



UNLESS OTHERWISE SPECIFIED ALL SURFACES $\sqrt{32}$		 THIRD ANGLE PROJECTION		Mi-Wave Millimeter Products Inc.	
DIMENSIONS ARE IN INCHES TOLERANCES ARE: DECIMALS: .1234 +/- .0005 .123 +/- .005 .12 +/- .01 ANGLES: +/- .5 DEGREES		DRAFTING: K.S. APPROVED: M.S. DATE: 6/10/2010		TITLE 670F/387 H PLANE BEND OUTLINE	
ALL THREADS TO BE 2A OR 2B		DATE: 6/10/2010		SIZE	DWG NO
REF DWG# --	SHEET NO.	OF		A	24852
ORIGINAL DWG# 20164	1	1			