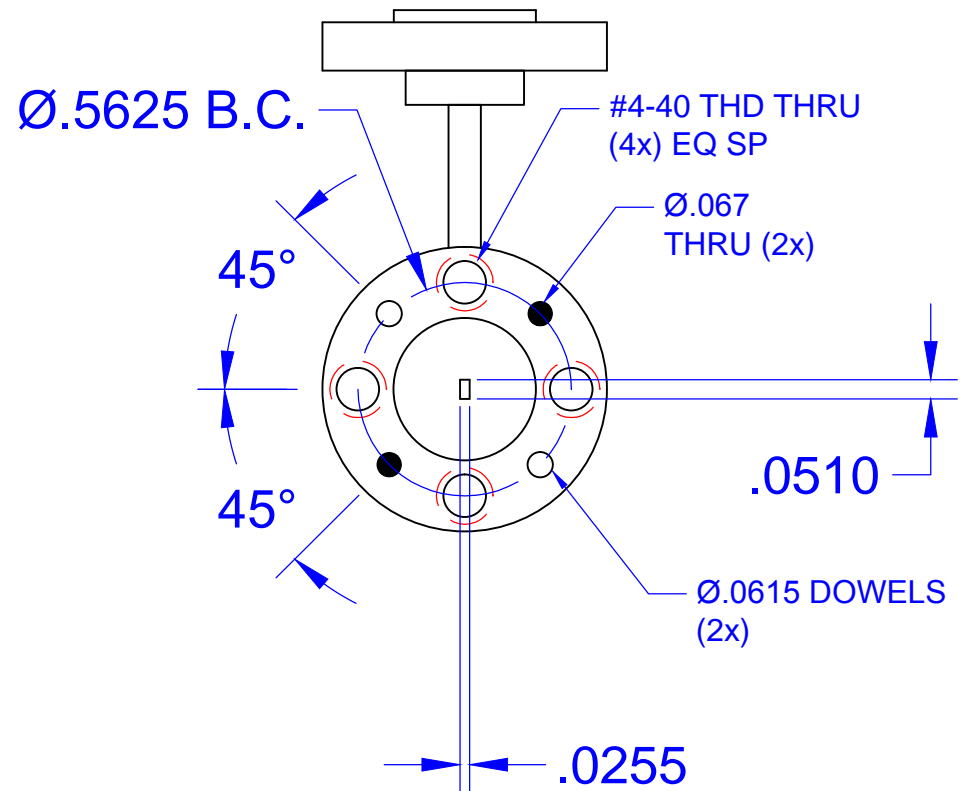
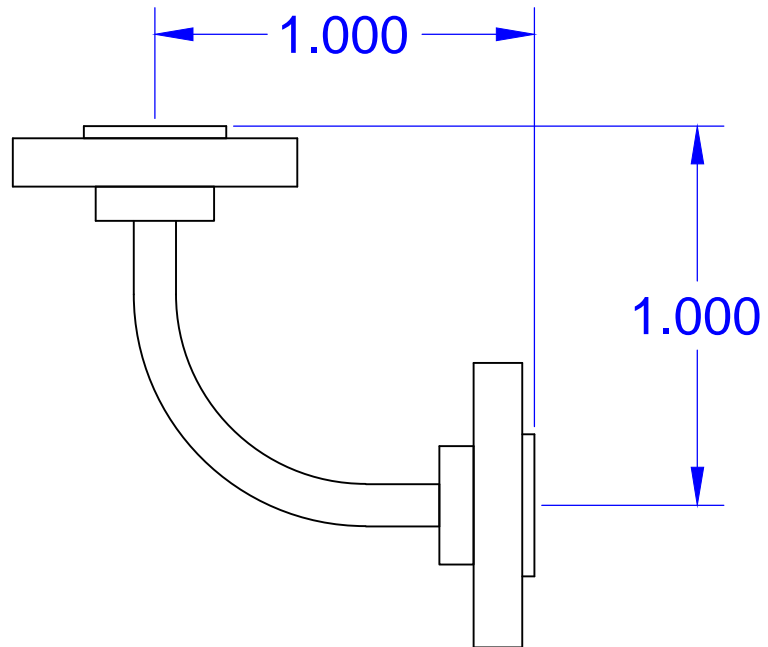


REVISIONS			
REV	DESCRIPTION	DATE	APPROVED
--	--	--	--

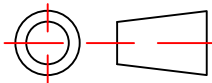


UNLESS OTHERWISE SPECIFIED
 ALL SURFACES $\sqrt{32}$

DIMENSIONS ARE IN INCHES
 TOLERANCES ARE:
 DECIMALS: .1234 +/- .0005
 .123 +/- .005
 .12 +/- .01
 ANGLES: +/- .5 DEGREES

ALL THREADS TO BE 2A OR 2B

REF DWG# --
 ORIGINAL DWG# 20164


 THIRD ANGLE PROJECTION

DRAFTING: K.S.
 APPROVED: M.S.
 DATE: 6/10/2010

SHEET NO. 1 OF 1

Mi-Wave Millimeter Products Inc.

TITLE
**670G/387
 H PLANE BEND
 OUTLINE**

SIZE **A** DWG NO **22349**