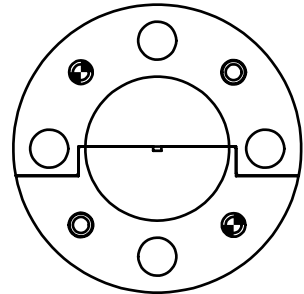
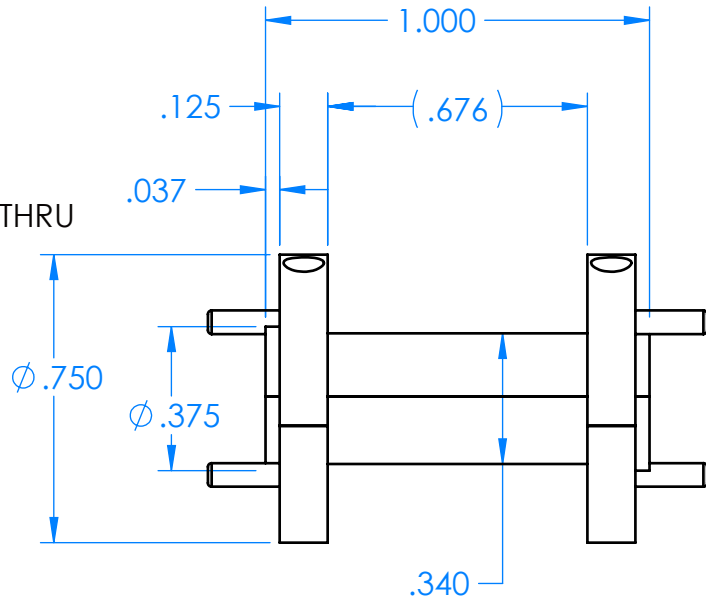
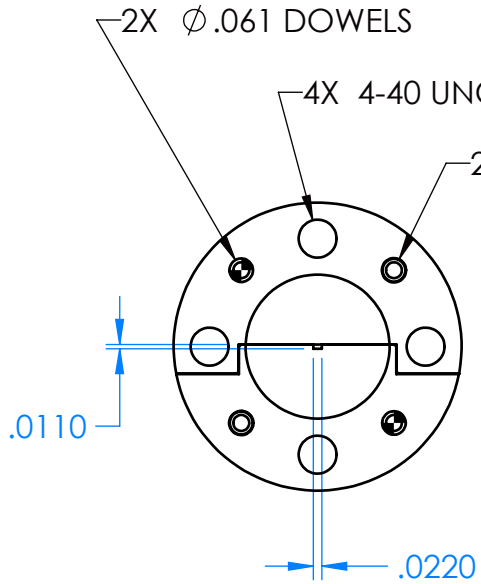
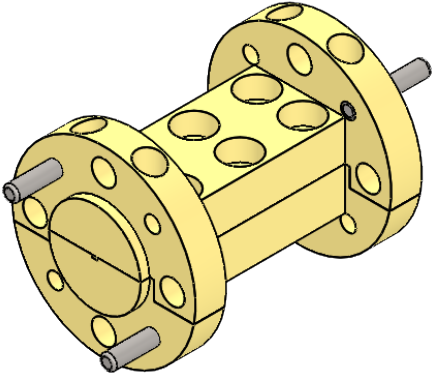
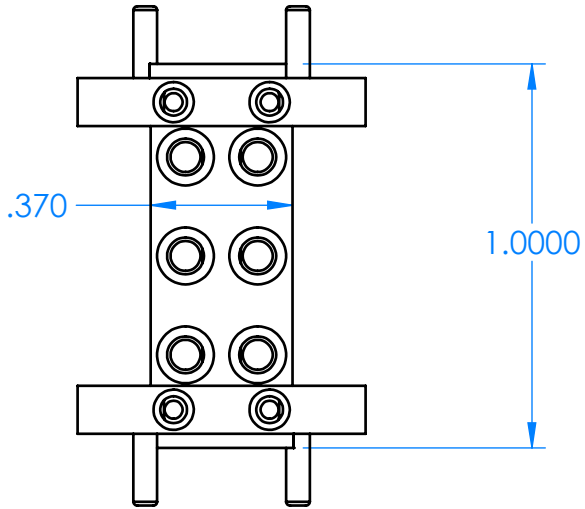


REVISIONS			
REV	DESCRIPTION	DATE	APPROVED
-	-	-	-



(WR-2.2)
UG-387

(WR-2.2)
UG-387

DECIMALS: XXXX \pm .0005 XXX \pm .005 XX \pm .01	NAME DRAWN JV	DATE 4-2-19	TITLE: Millimeter Wave Products Inc.	
ANGLES: \pm .5 DEGREE	CHECKED MS	4-2-19	SIZE A	DWG. NO. 690(WR-2.2)-1.00-387_BLOCK STYLE_OUTLINE_24647
THIRD ANGLE PROJECTION	ENG LS	4-2-19	SCALE: 2:1	REV -
MATERIAL: 6061 T6 ALUMINUM			WEIGHT:	SHEET 1 OF 1