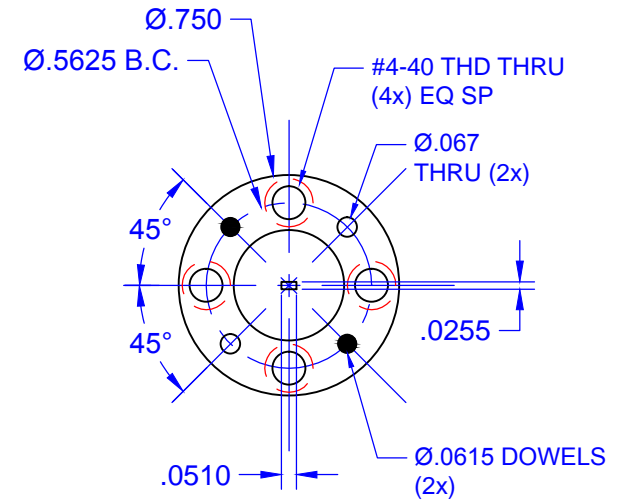
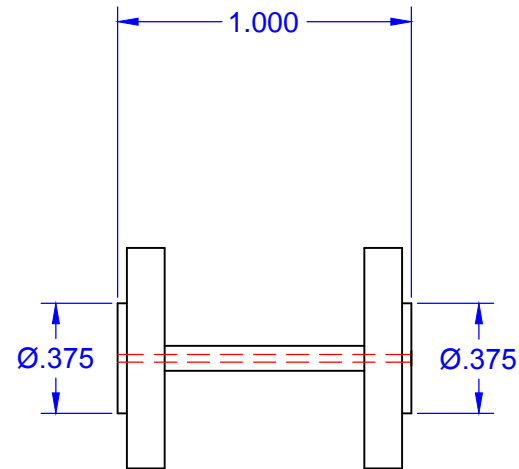
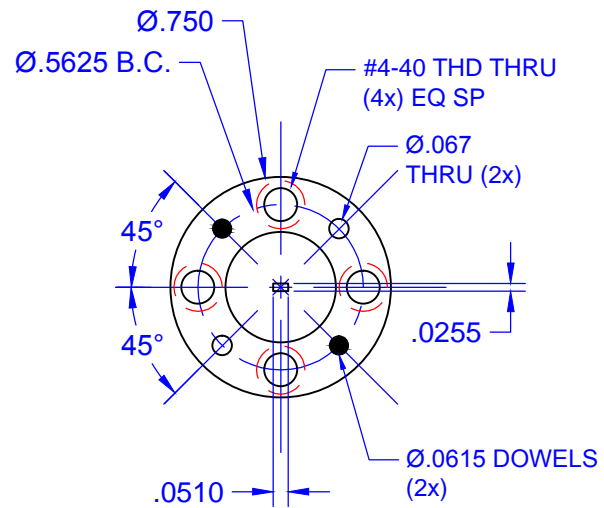


REVISIONS			
REV	DESCRIPTION	DATE	APPROVED
--	--	--	--

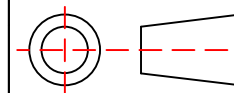


UNLESS OTHERWISE SPECIFIED
ALL SURFACES $\sqrt{32}$

DIMENSIONS ARE IN INCHES
TOLERANCES ARE:
DECIMALS: $.1234 \pm .0005$
 $.123 \pm .005$
 $.12 \pm .01$
ANGLES: $\pm .5$ DEGREES

ALL THREADS TO BE 2A OR 2B

REF DWG #: 12171



DRAFTING: K.S.
APPROVED: M.S.
DATE: 5/2/2014

SHEET NO. 1 OF 1

Mi-Wave Millimeter Products Inc.

TITLE
**690G-1/387
OUTLINE**

SIZE **A** DWG NO **22323**