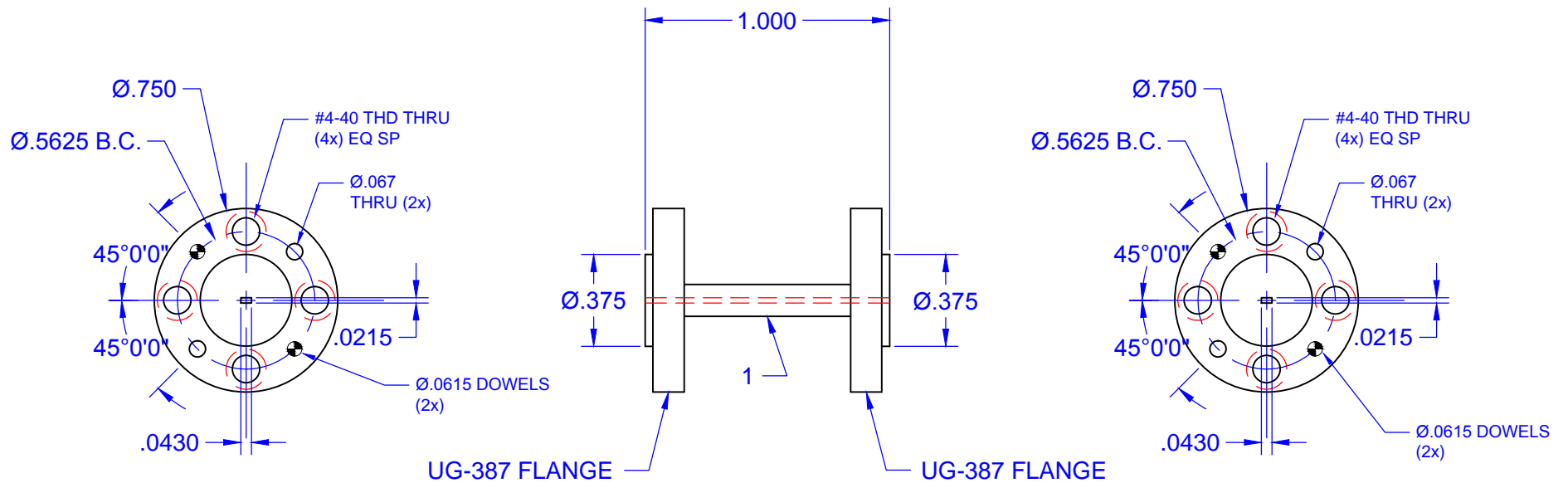


REVISIONS			
REV	DESCRIPTION	DATE	APPROVED
--	--	--	--



2		UG387 FLANGE	2
1		WR-4 WAVEGUIDE	1
QTY	PART NUMBER	DESCRIPTION	ITEM
UNLESS OTHERWISE SPECIFIED ALL SURFACES $\sqrt{32}$		 THIRD ANGLE PROJECTION	Mi-Wave Millimeter Products Inc. TITLE 690H(WR-4)-1.0-387 OUTLINE
DIMENSIONS ARE IN INCHES TOLERANCES ARE: DECIMALS: $.1234 \pm .0005$ $.123 \pm .005$ $.12 \pm .01$ ANGLES: $\pm .5$ DEGREES			
ALL THREADS TO BE 2A OR 2B		SHEET NO.	OF
REF DWG #: 12171		1	1
		SIZE A	DWG NO 22982