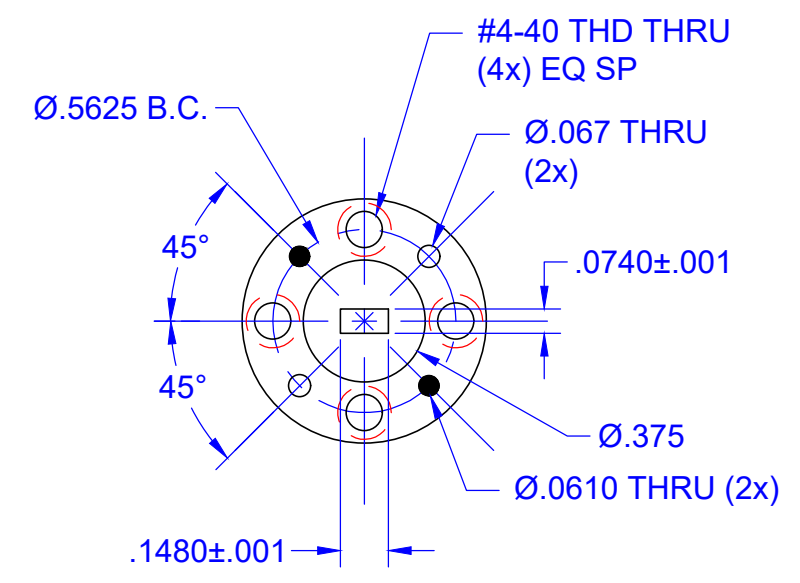
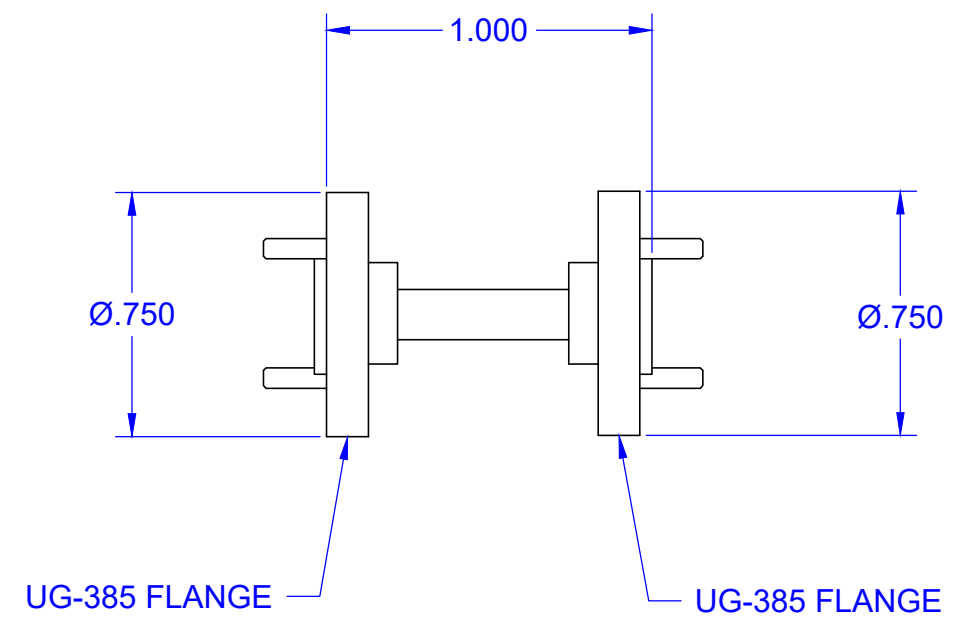
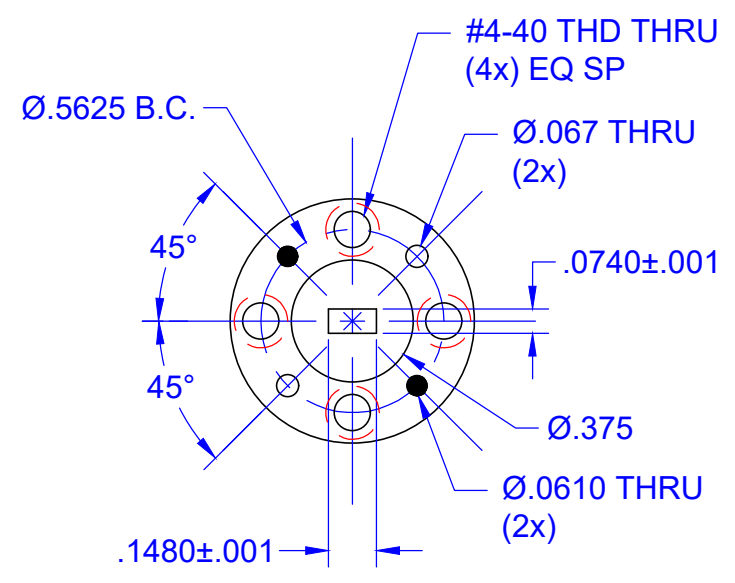


REVISIONS			
REV	DESCRIPTION	DATE	APPROVED
--	--	--	--



**ALL DIMENSIONS ARE  
REFERENCE ONLY**

QTY	PART NUMBER	DESCRIPTION		ITEM
	UNLESS OTHERWISE SPECIFIED ALL SURFACES $\sqrt{32}$	 THIRD ANGLE PROJECTION		Mi-Wave Millimeter Products Inc.
	DIMENSIONS ARE IN INCHES TOLERANCES ARE: DECIMALS: $.1234 \pm .0005$ $.123 \pm .005$ $.12 \pm .01$ ANGLES: $\pm .5$ DEGREES	DRAFTING: C. C. APPROVED: M.S. DATE: 5-14-15		TITLE <b>690V-1.00-385</b>
	ALL THREADS TO BE 2A OR 2B	SHEET NO. 1	OF 1	SIZE <b>A</b> DWG NO
	REF DWG #: 12171			