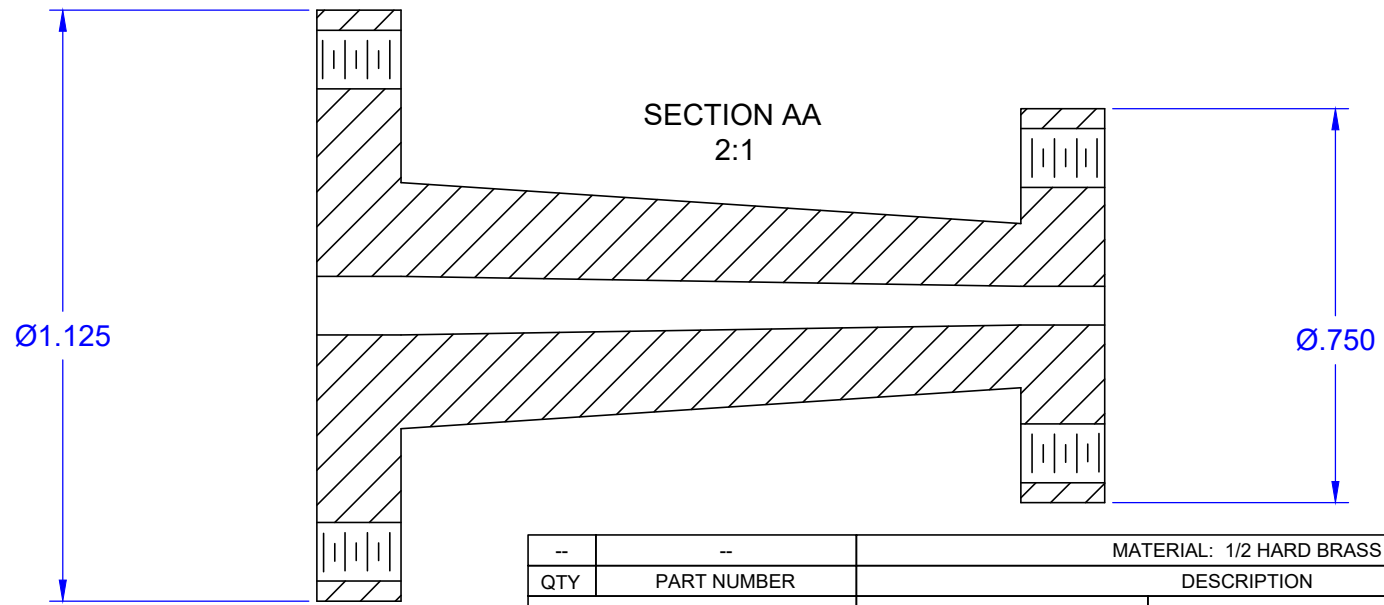
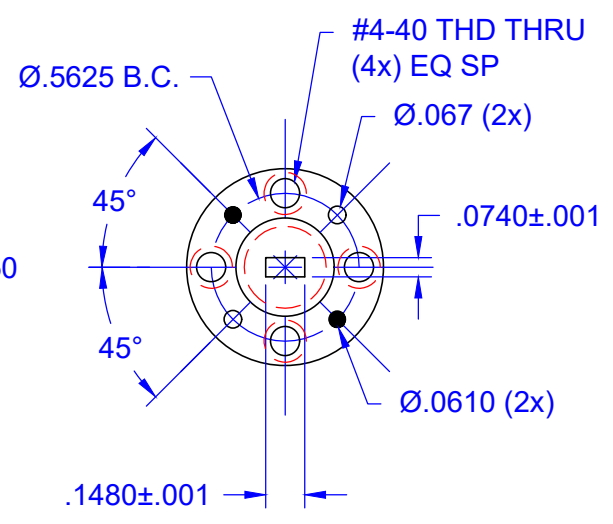
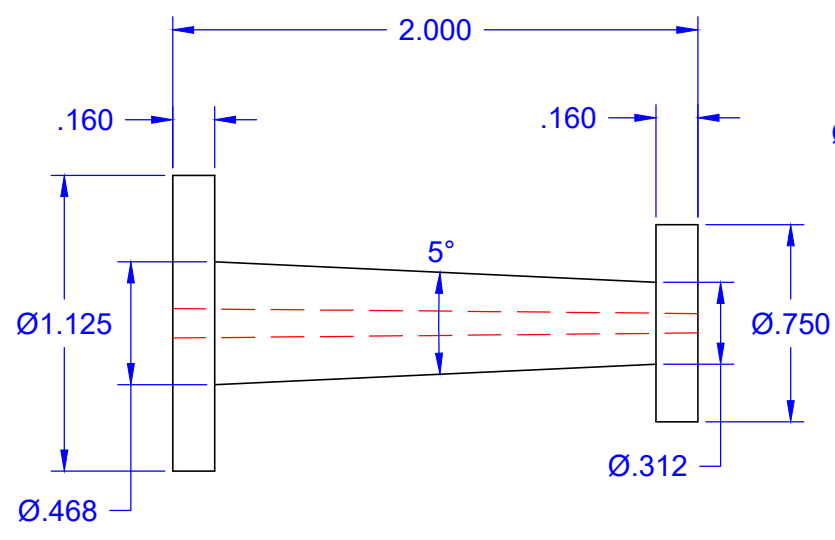
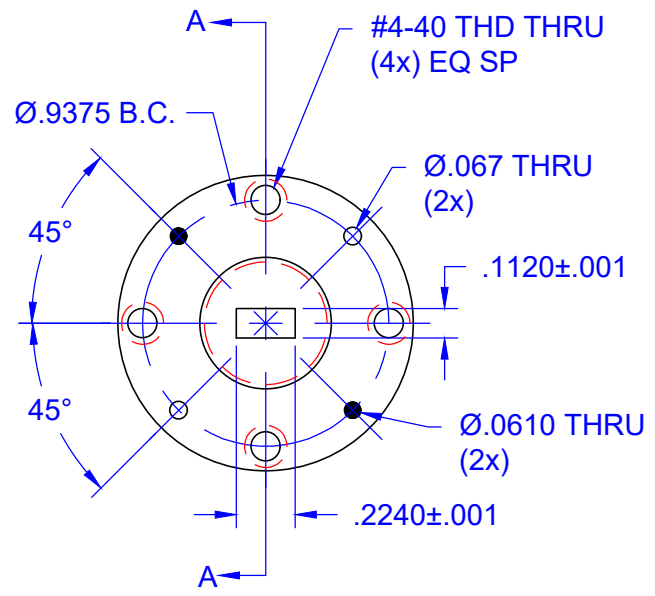
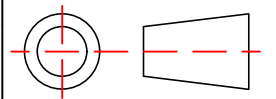


REVISIONS			
REV	DESCRIPTION	DATE	APPROVED
--	--	--	--



QTY	PART NUMBER	MATERIAL: 1/2 HARD BRASS		DESCRIPTION	ITEM
		UNLESS OTHERWISE SPECIFIED ALL SURFACES $\sqrt{32}$		 THIRD ANGLE PROJECTION	Mi-Wave Millimeter Products Inc. TITLE 692B-V/383/385 MACHINE DWG
DIMENSIONS ARE IN INCHES TOLERANCES ARE: DECIMALS: .1234 +/- .0005 .123 +/- .005 .12 +/- .01 ANGLES: +/- .5 DEGREES		DRAFTING: C.C. APPROVED: M.S. DATE: 8/10/2020			
ALL THREADS TO BE 2A OR 2B		SHEET NO.	OF	SIZE	DWG NO
REF DWG# --		1	1	A	25433