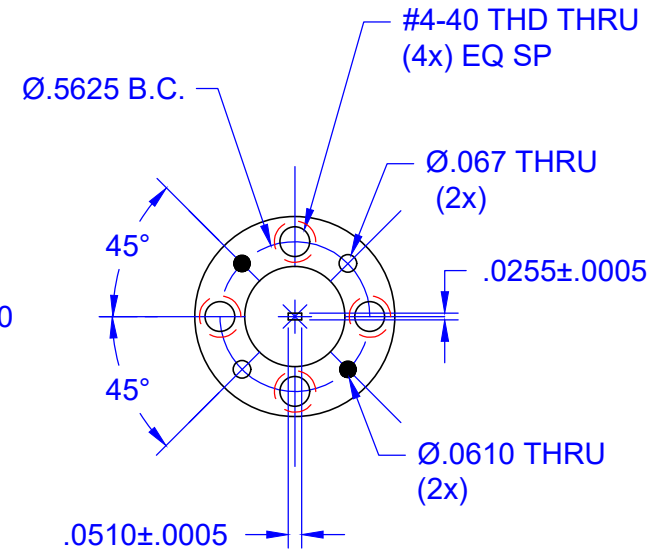
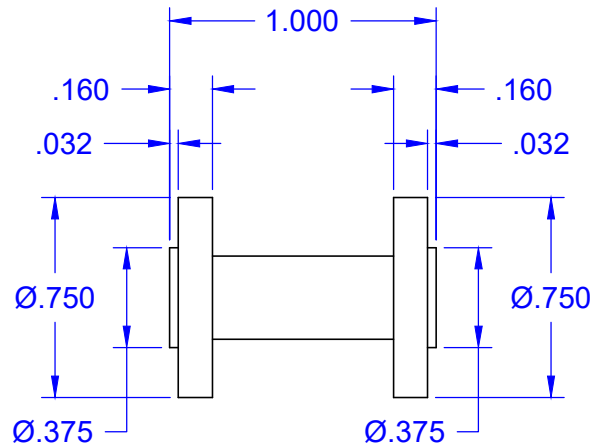
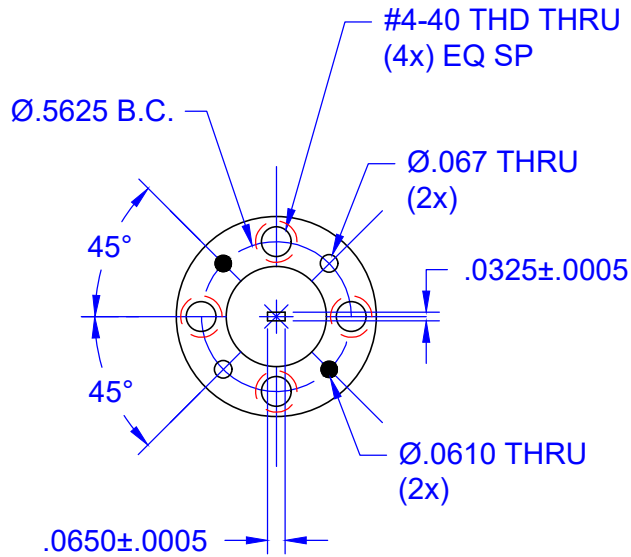
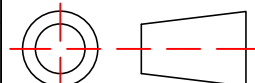


REVISIONS			
REV	DESCRIPTION	DATE	APPROVED
--	--	--	--



QTY	PART NUMBER	MATERIAL: 1/2 HARD BRASS		ITEM
		DESCRIPTION		
UNLESS OTHERWISE SPECIFIED ALL SURFACES $\sqrt{32}$		 THIRD ANGLE PROJECTION		<b>Mi-Wave</b> Millimeter Products Inc.  TITLE <b>692D-G/387 OUTLINE</b>
DIMENSIONS ARE IN INCHES TOLERANCES ARE:		DRAFTING: MRN		
DECIMALS: .1234 +/- .0005 .123 +/- .005 .12 +/- .01		APPROVED: M.S.		
ANGLES: +/- .5 DEGREES		DATE: 1/17/2011		
ALL THREADS TO BE 2A OR 2B		SHEET NO.	OF	SIZE
REF DWG# --		1	1	DWG NO
				<b>A</b>
				<b>25893</b>