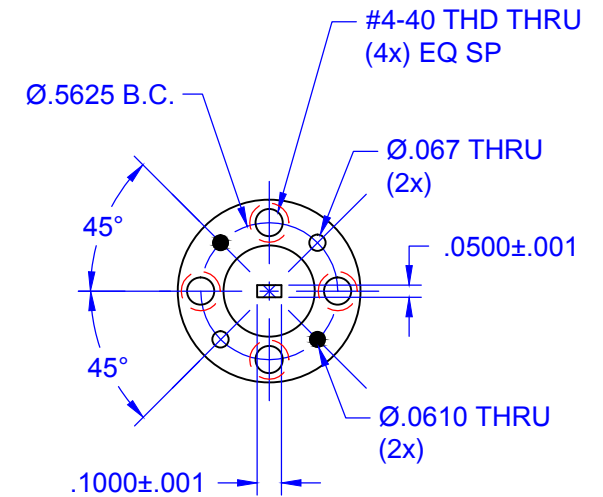
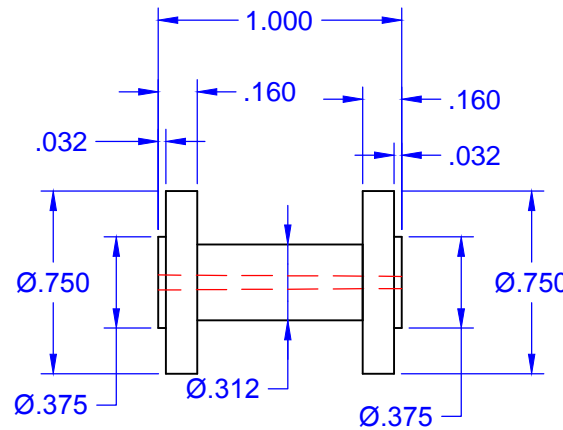
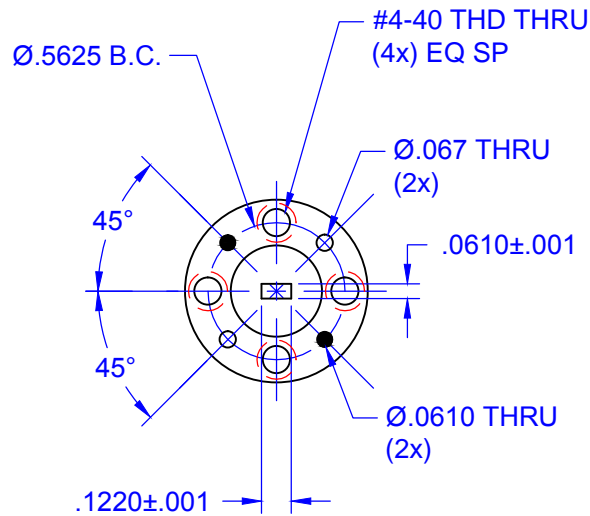
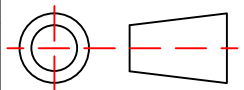


REVISIONS			
REV	DESCRIPTION	DATE	APPROVED
--	--	--	--



ALL DIMENSIONS  
 ARE REFERENCE ONLY

--	--	MATERIAL: 1/2 HARD BRASS		--
QTY	PART NUMBER	DESCRIPTION		ITEM
UNLESS OTHERWISE SPECIFIED		 THIRD ANGLE PROJECTION	<b>Mi-Wave</b> Millimeter Products Inc. TITLE <b>692E-W/387          OUTLINE</b>	
ALL SURFACES $\sqrt{32}$				
DIMENSIONS ARE IN INCHES		DRAFTING: JV		SIZE <b>A</b> DWG NO <b>24469</b>
TOLERANCES ARE:		APPROVED: M.S.		
DECIMALS: .1234 +/- .0005		DATE: 1-10-19		
.123 +/- .005		SHEET NO.	OF	
.12 +/- .01		1	1	
ANGLES: +/- .5 DEGREES				
ALL THREADS TO BE 2A OR 2B				
REF DWG# --				