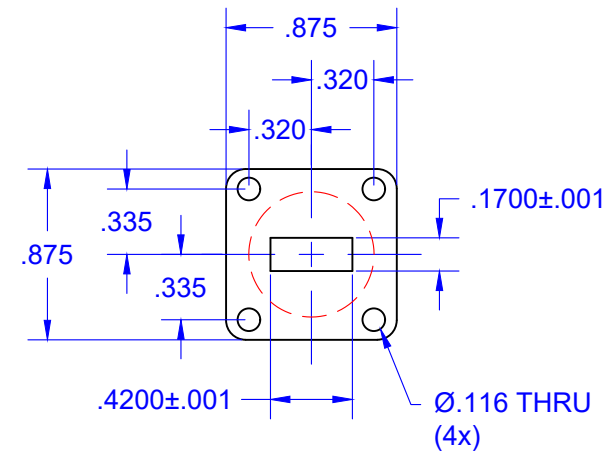
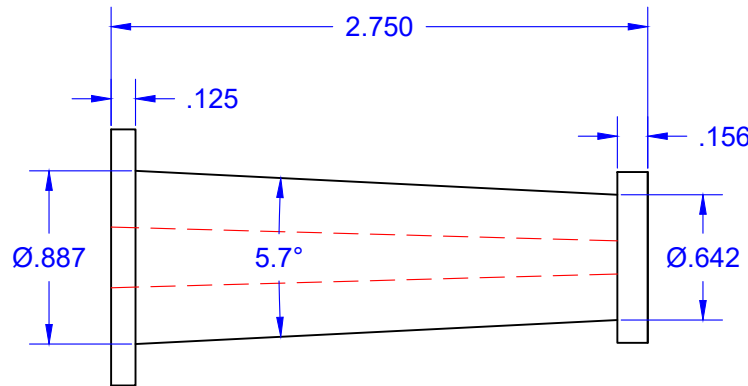
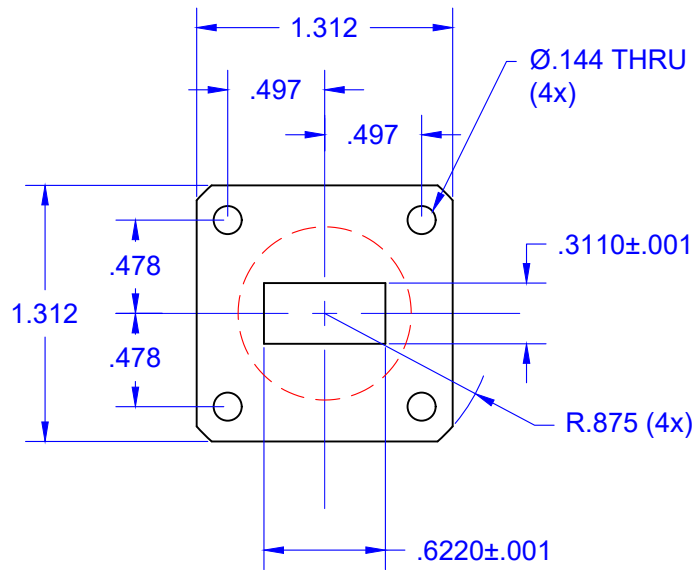


REVISIONS			
REV	DESCRIPTION	DATE	APPROVED
--	--	--	--



--	--	MATERIAL: 1/2 HARD BRASS		--
QTY	PART NUMBER	DESCRIPTION		ITEM
UNLESS OTHERWISE SPECIFIED ALL SURFACES $\sqrt{32}$		 THIRD ANGLE PROJECTION		<b>Mi-Wave</b> Millimeter Products Inc.  <b>692KU-K/419/595</b> <b>MACHINING</b>
DIMENSIONS ARE IN INCHES TOLERANCES ARE: DECIMALS: .1234 +/- .0005 .123 +/- .005 .12 +/- .01 ANGLES: +/- .5 DEGREES				
ALL THREADS TO BE 2A OR 2B		DRAFTING: MRN	DATE: 2/21/2011	
REF DWG# --		SHEET NO. 1	OF 1	
		SIZE <b>A</b>	DWG NO <b>20762</b>	