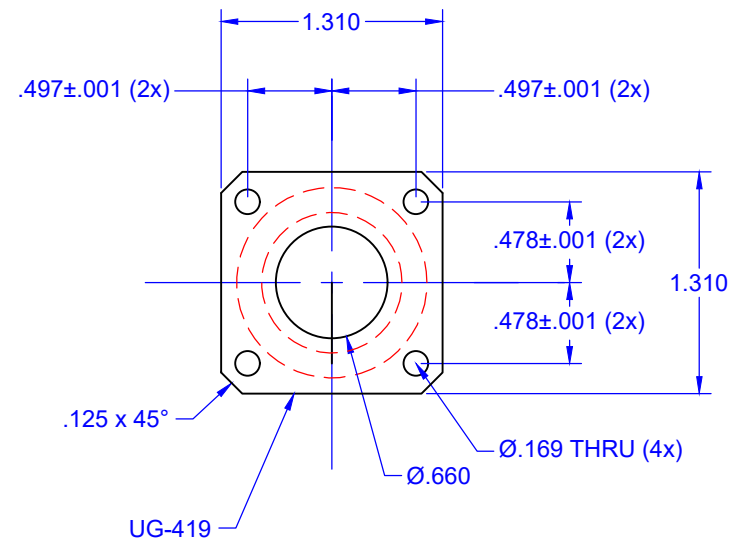
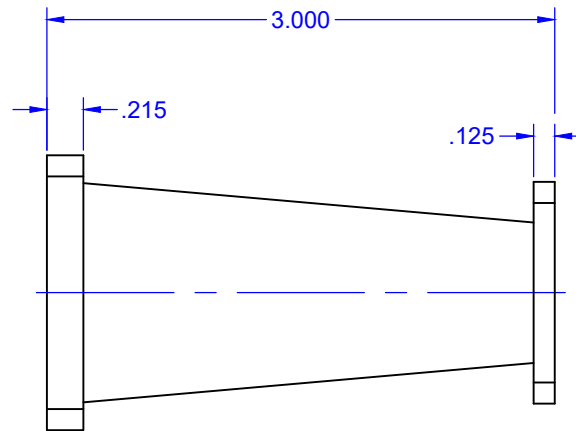
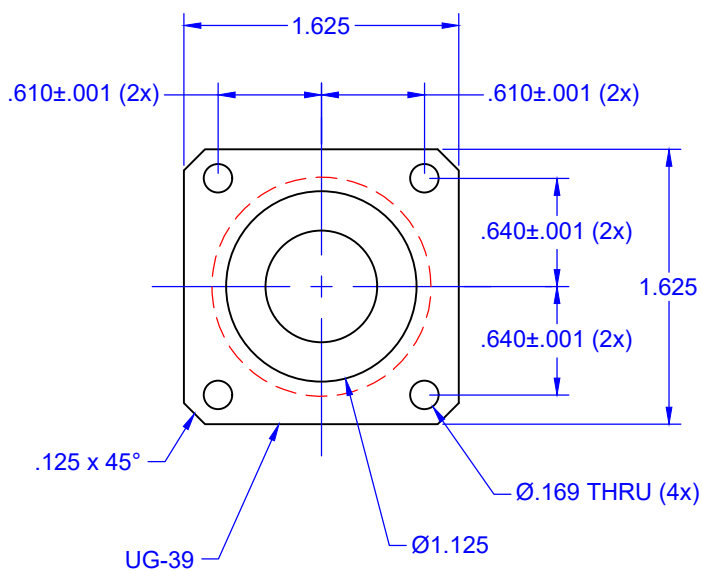


REVISIONS			
REV	DESCRIPTION	DATE	APPROVED
--	--	--	--



QTY	PART NUMBER	MATERIAL: 6061-T6 ALUMINUM		ITEM
UNLESS OTHERWISE SPECIFIED ALL SURFACES $\sqrt{32}$		 THIRD ANGLE PROJECTION		Mi-Wave Millimeter Products Inc. TITLE 692X-KU/1.125/.660/39/419 OUTLINE
DIMENSIONS ARE IN INCHES TOLERANCES ARE: DECIMALS: .1234 +/- .0005 .123 +/- .005 .12 +/- .01 ANGLES: +/- .5 DEGREES				
ALL THREADS TO BE 2A OR 2B		DRAFTING: K.S.	DATE: 4/28/2015	
REF DWG# --		APPROVED: M.S.		
ORIGINAL DWG# 20101a	SHEET NO. 1	OF 1	SIZE A	DWG NO 22839