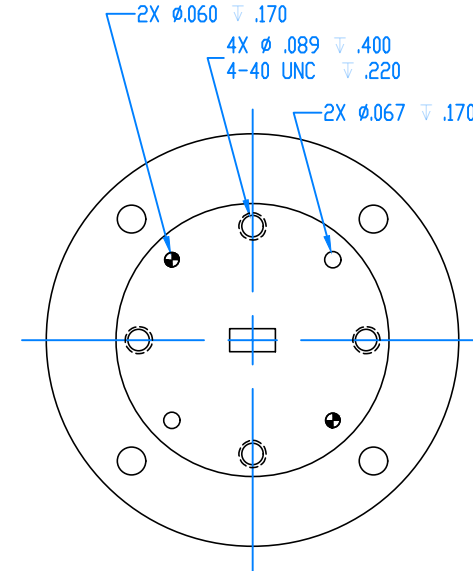
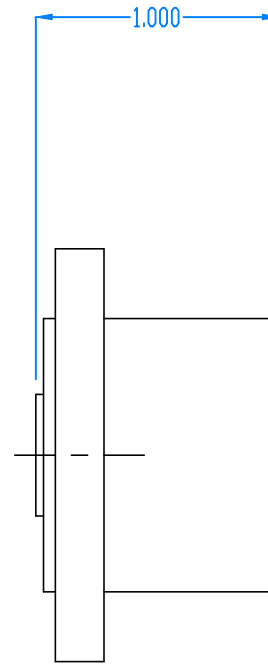
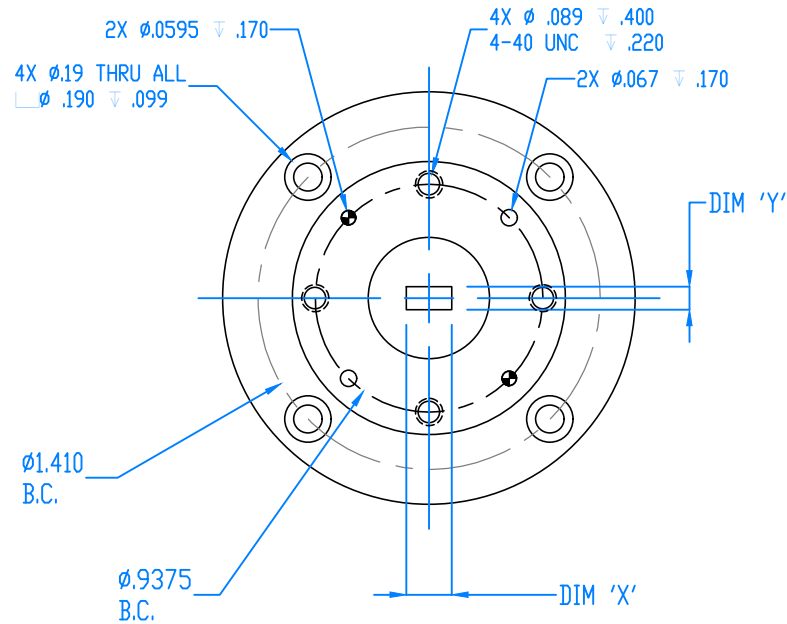
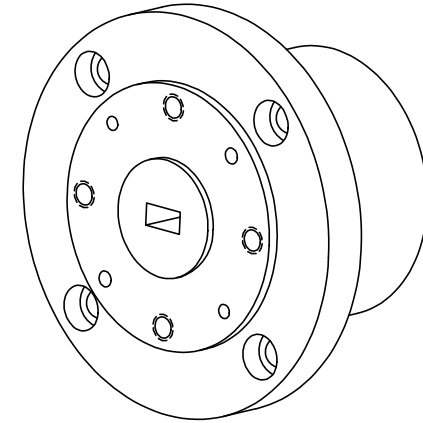
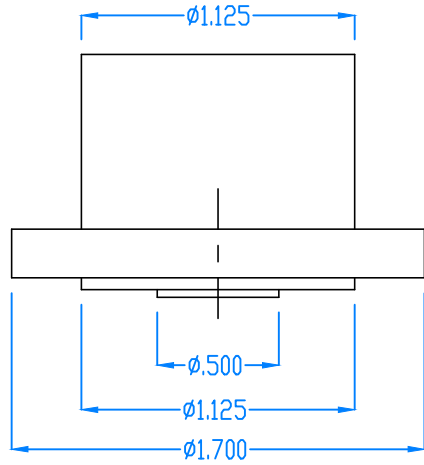


REVISIONS			
REV	DESCRIPTION	DATE	APPROVED
--	--	--	--



WAVEGUIDE DESCRIPTOR	DIM 'X' REF	DIM 'Y' REF
B	.2240±.001	.1120±.001
U	.1880±.001	.0940±.001

DECIMALS: XXXX ±.0005 XXX ±.005 XX ±.01	DRAWN	NAME	DATE
ANGLES: ± .5 DEGREE	CHECKED	LS	5-10-19
THIRD ANGLE PROJECTION	ENG	LS	5-10-19
	MATL:	1/2 HARD BRASS	

TITLE: Mi-Wave Millimeter Products Inc.		REV	-
SIZE	DWG. NO.	713B-U_OUTSIDE PANEL MOUNT ADAPTER_OUTLINE_26035	
A	SCALE: 3:2	WEIGHT:	SHEET 1 OF 1