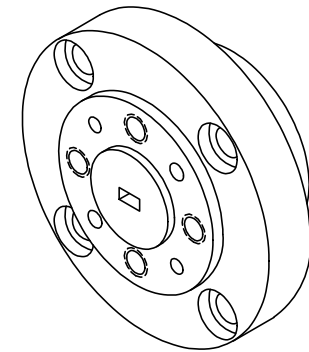
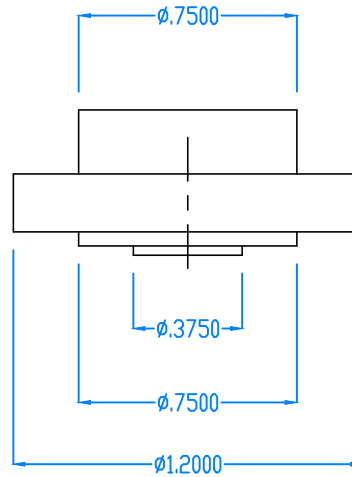
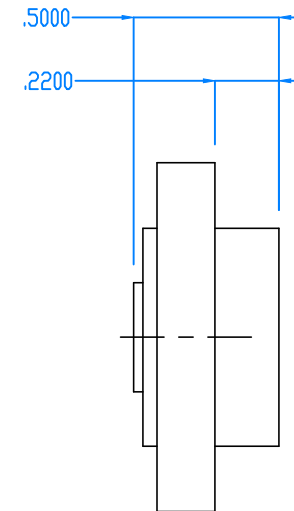
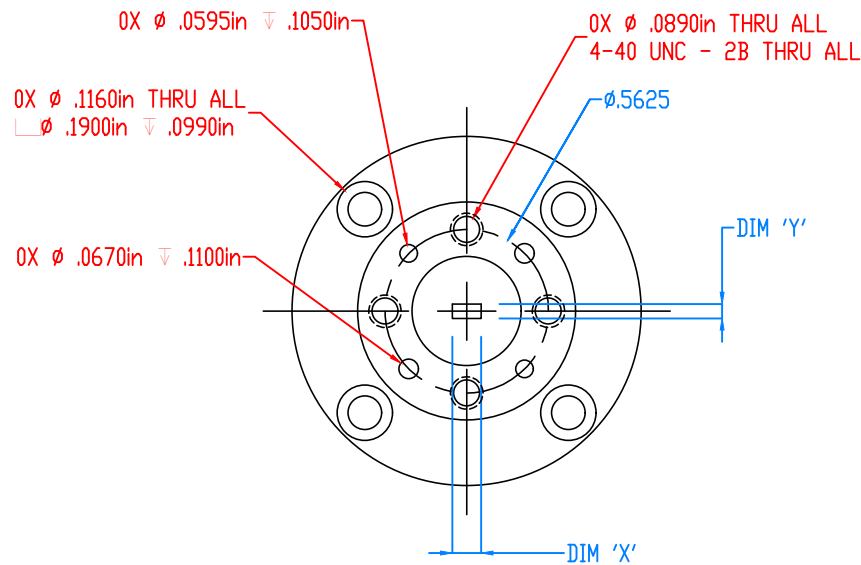


REVISIONS			
REV	DESCRIPTION	DATE	APPROVED
--	--	--	--



WAVEGUIDE DESCRIPTOR	DIM 'X' REF	DIM 'Y' REF
V	1480±.001	.0740±.001
E	.1220±.001	.0610±.001
W	.1000±.001	.0500±.001
F	.0800±.001	.0400±.001
D	.0650±.001	.0325±.001
G	.0510±.001	.0255±.001
H	.0430±.001	.0215±.001
J	.034±.001	.0170±.001



DECIMALS: XXXX ±.0005 XXX ±.005 XX ±.01	NAME DRAWN CC	DATE 6-23-21	TITLE: Mi-Wave Millimeter Products Inc.	
ANGLES: ± .5 DEGREE	CHECKED LS	6-23-21	SIZE DWG. NO.	REV
THIRD ANGLE PROJECTION	ENG LS	6-23-21	A 713V-J OUTSIDE PANEL MOUNT ADAPTER OUTLINE 26034	-
MATL: 6061 T6 ALUMINUM	SCALE: 2:1		WEIGHT:	SHEET 1 OF 1