

Description

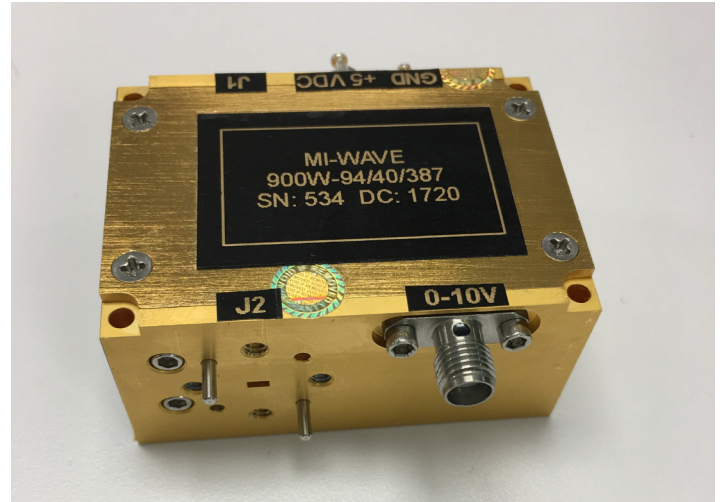
Mi-Wave's 900 Series Pin Diode or MMIC Attenuator is a SPST reflective attenuator that combines low loss, high isolation performance in a compact package. Attenuation options are available for the 900 Series attenuation with isolation versions up to 60 dB.

- *Series 900 Attenuators 10 to 50 dB narrow or full bandwidth available.*

These attenuators are supplied without drivers, control is typically 0 to +10 Vdc. For full band applications, the 905 Series attenuation feature an excellent on/off ratio and a full bandwidth.

Applications

Both series of PIN attenuators can be used for a variety of applications including wave shaping, amplitude modulation, signal switching, and receiver protection.



Operating Specifications

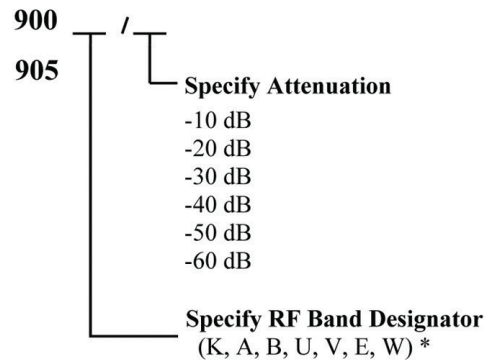
Control Input	0 to +10 Vdc
Operating Temperature	0° C to +50C
Storage Temperature	-10C to +60C
VSWR	1.5 Typical (Low Loss Condition)

NOTE:

Consult Mi-Wave for current outline drawings and insertion loss versus isolation specification.

Consult Mi-Wave for coaxial ports

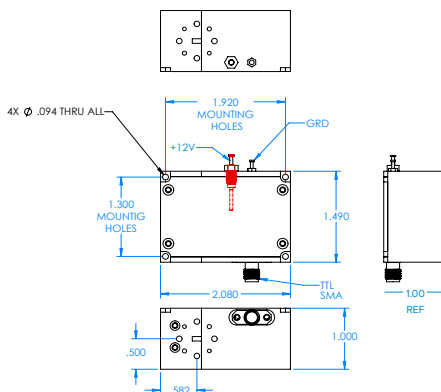
Ordering Information



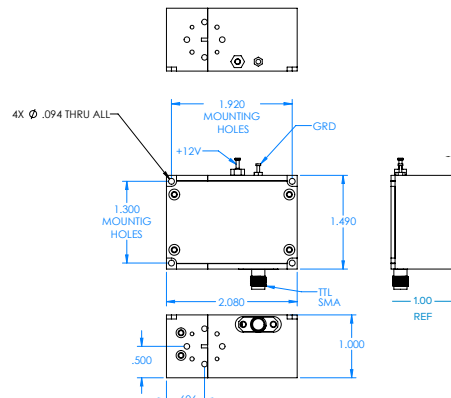
Please specify center frequency at time of order.

Consult Mi-Wave for A, B & U Band attenuator outline

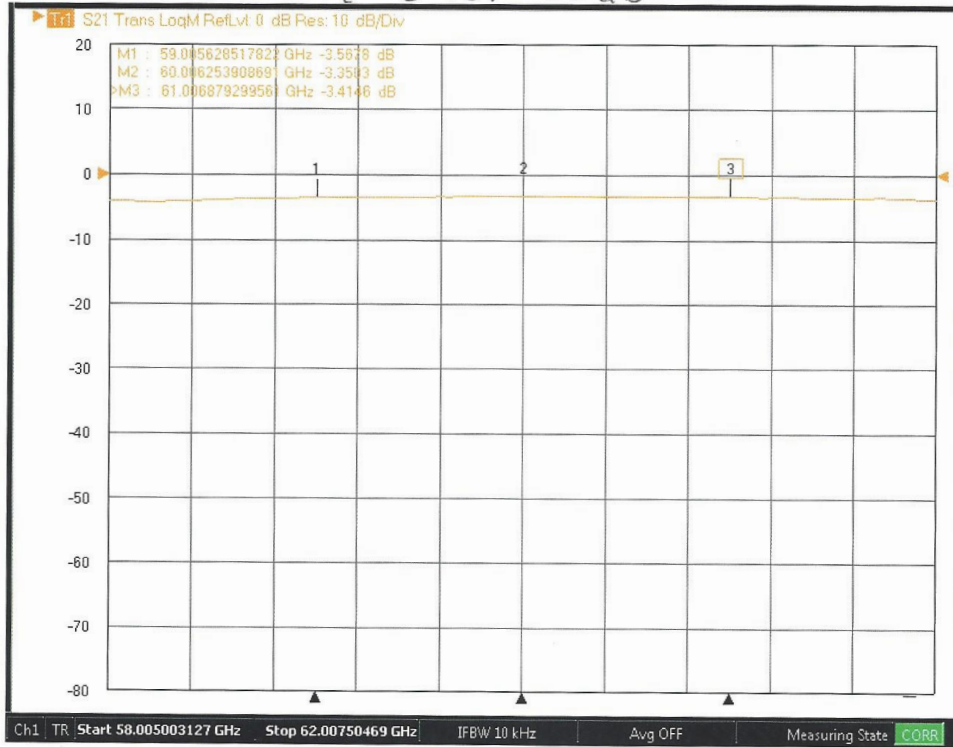
900V SPDT Outline Drawing



900W SPDT Outline Drawing



Insertion Loss Plot for 50dB Attenuator



Insertion Loss Plot for 30dB Attenuator

