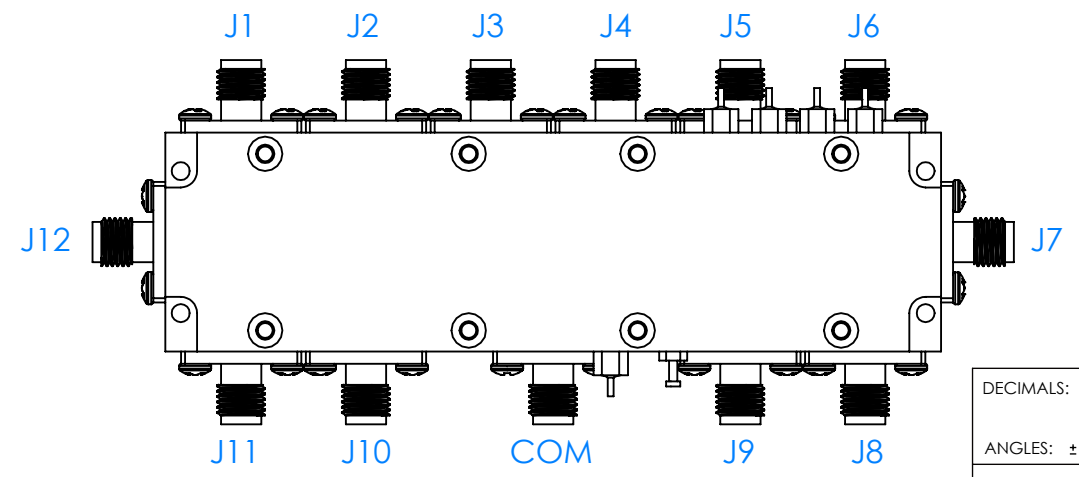
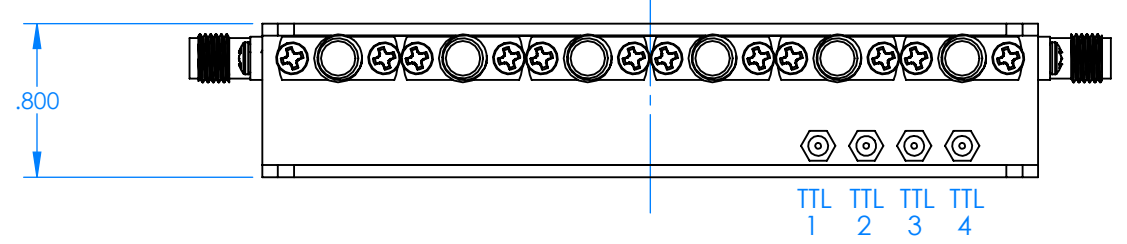
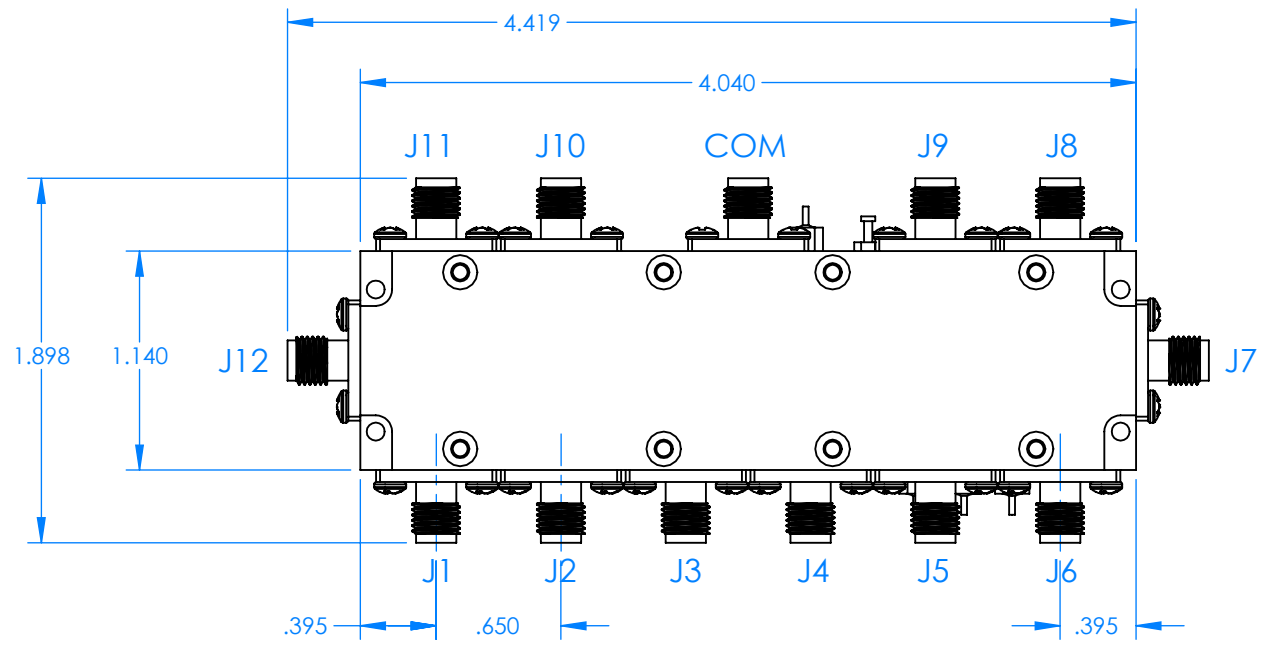
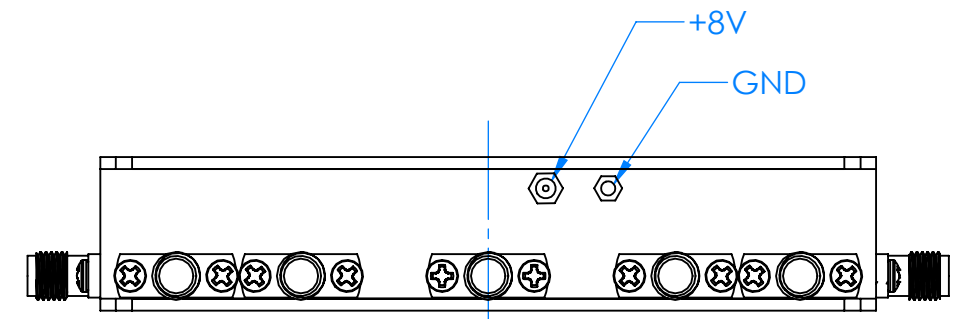
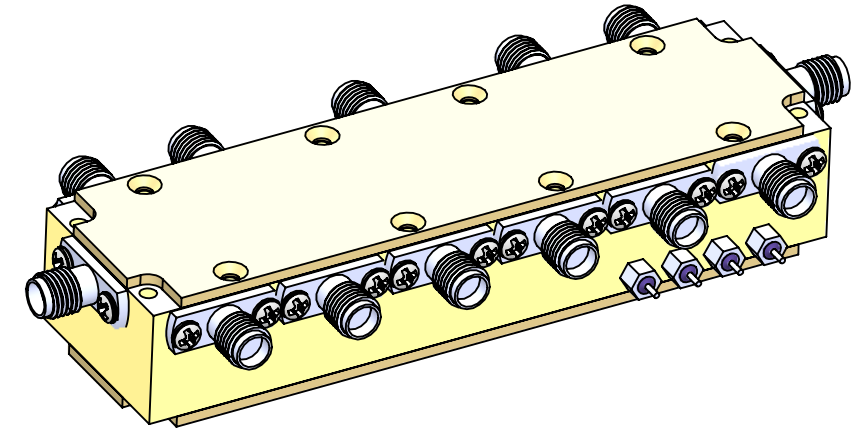
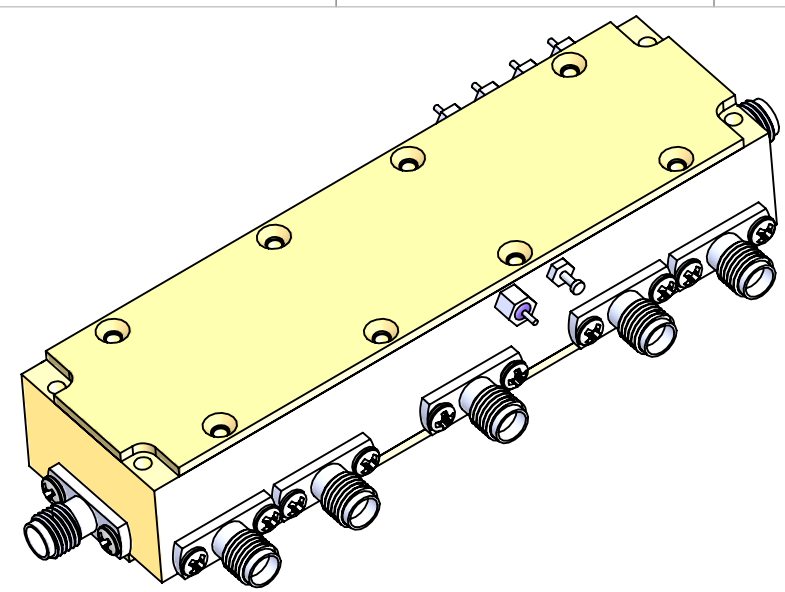


REVISIONS

REV	DESCRIPTION	DATE	APPROVED
-	-	-	-



DECIMALS: XXXX ±.0005 XXX ±.005 XX ±.01	ANGLES: ±.5 DEGREE	THIRD ANGLE PROJECTION	DRAWN: JV 2-2-18	CHECKED: MS 2-2-18	ENG: LS 2-2-18	MATL: 6160 T6-ALUMINUM	TITLE: Mi-Wave Millimeter Products Inc.	SIZE: B	DWG. NO.: 9112AF_KF_OUTLINE_23859	REV:
							SCALE: 1:1	WEIGHT:	SHEET 1 OF 1	