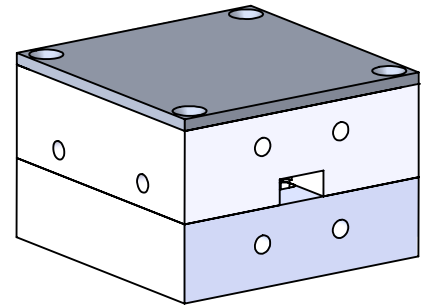
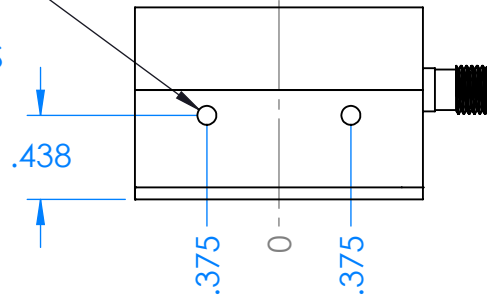
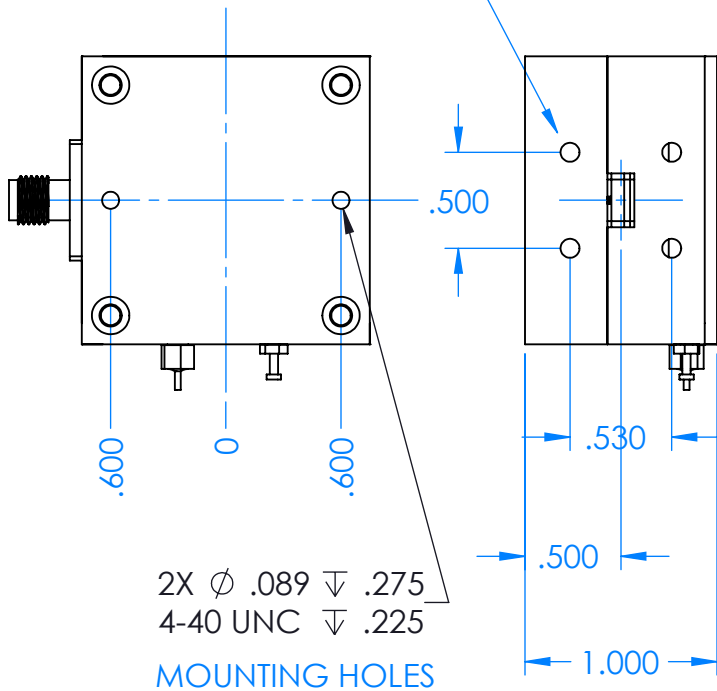


REVISIONS			
REV	DESCRIPTION	DATE	APPROVED
--	--	--	--

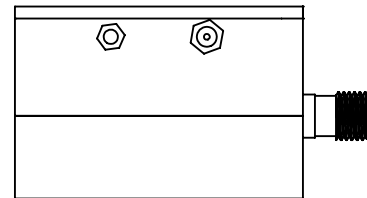
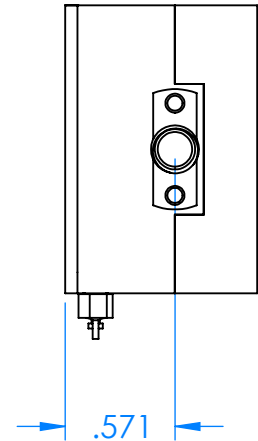
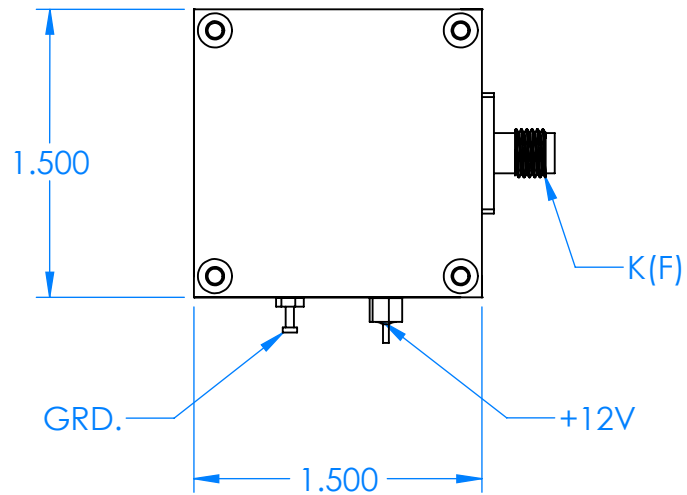
2X ϕ .099 ∇ .200
 4-40 UNC ∇ .180
 MOUNTING HOLES



WR-28
 UG-599
 FLANGE
 PATTERN



2X ϕ .089 ∇ .275
 4-40 UNC ∇ .225
 MOUNTING HOLES



DECIMALS: XXXX \pm .0005
 XXX \pm .005
 XX \pm .01
 ANGLES: \pm .5 DEGREE

THIRD ANGLE PROJECTION

	NAME	DATE
DRAWN	JV	6-13-17
CHECKED	MS	6-13-17
ENG	LS	6-13-17

MATL:
6061 T6 ALUMINUM

TITLE: **Mi-Wave Millimeter Products Inc.**

SIZE DWG. NO.

A

93x-A-599_OUTLINE_24374

SCALE: 1:1

WEIGHT:

REV

SHEET 1 OF 1