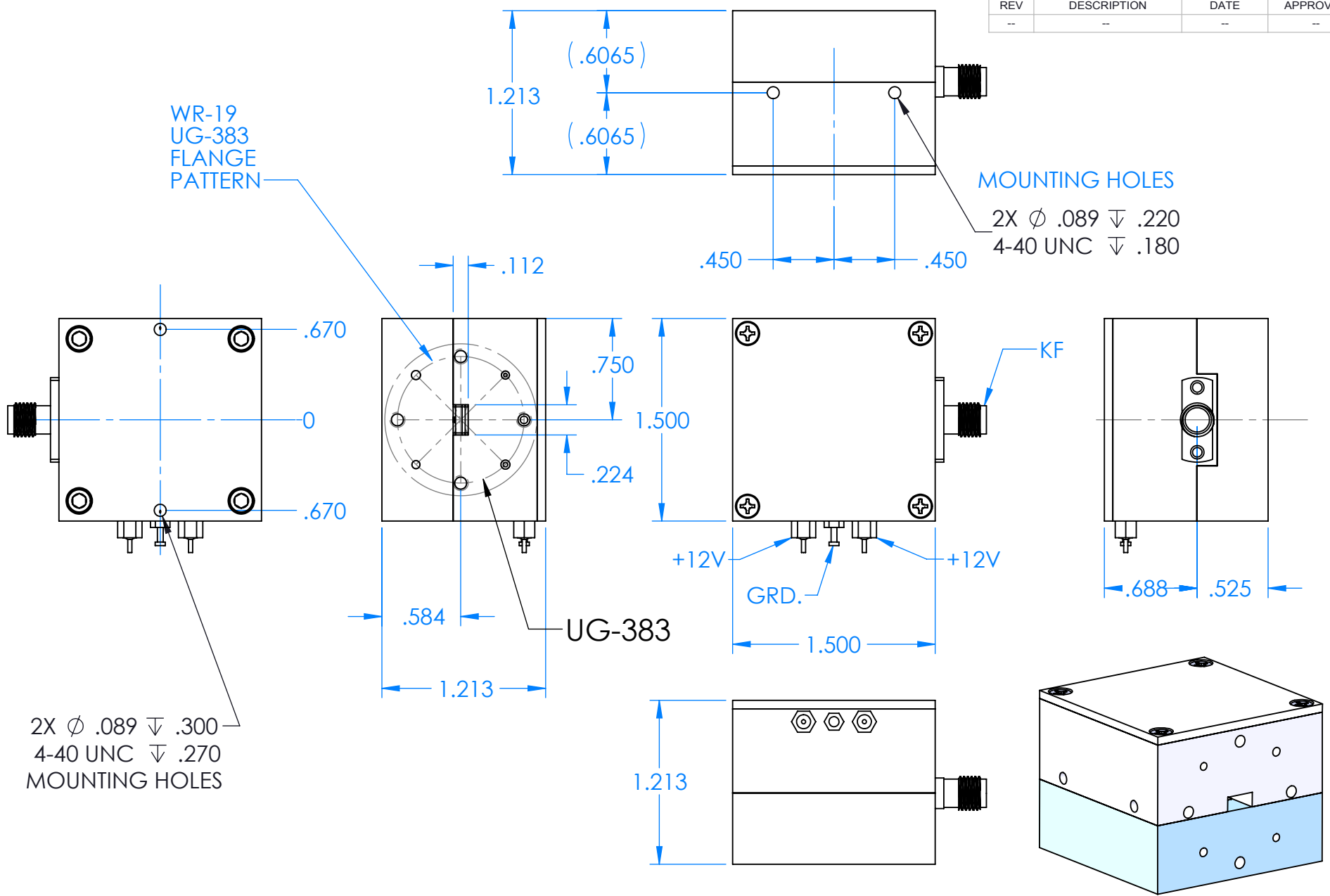


REVISIONS			
REV	DESCRIPTION	DATE	APPROVED
--	--	--	--



DECIMALS: XXXX \pm .0005 XXX \pm .005 XX \pm .01	NAME	DATE
ANGLES: \pm .5 DEGREESS	DRAWN	JV 11-1-18
THIRD ANGLE PROJECTION	CHECKED	MS 11-1-18
	ENG	LS 11-1-18
	MATL:	6061 T6 ALUMINUM

TITLE:	Millimeter Wave Products Inc.	
SIZE	DWG. NO.	REV
A	93x-B_KF-383_OUTLINE_24376	
SCALE: 1:1	WEIGHT:	SHEET 1 OF 1