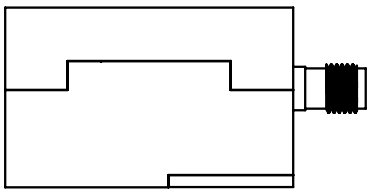
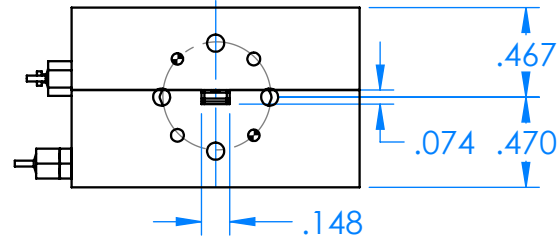
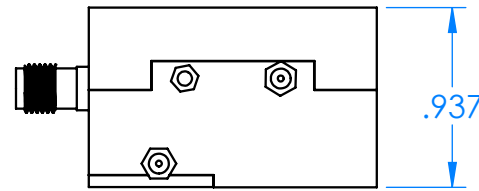
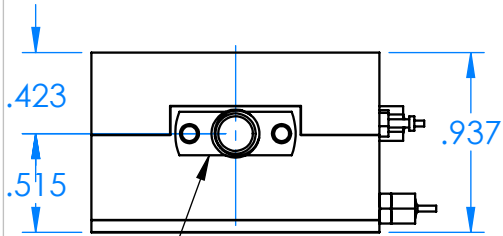
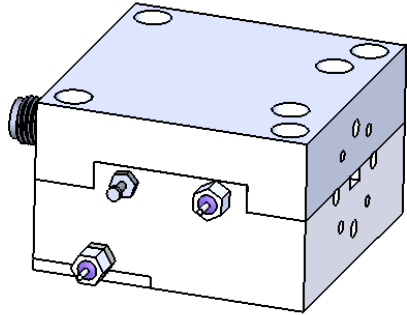
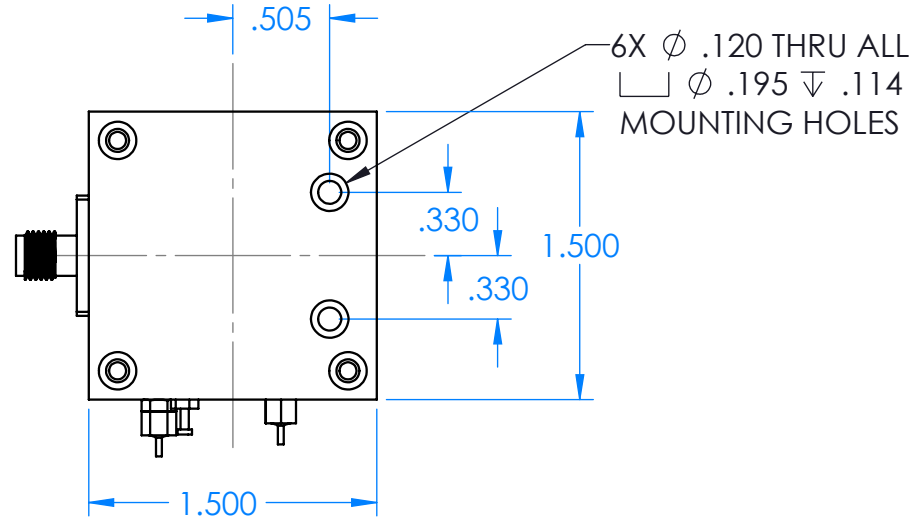
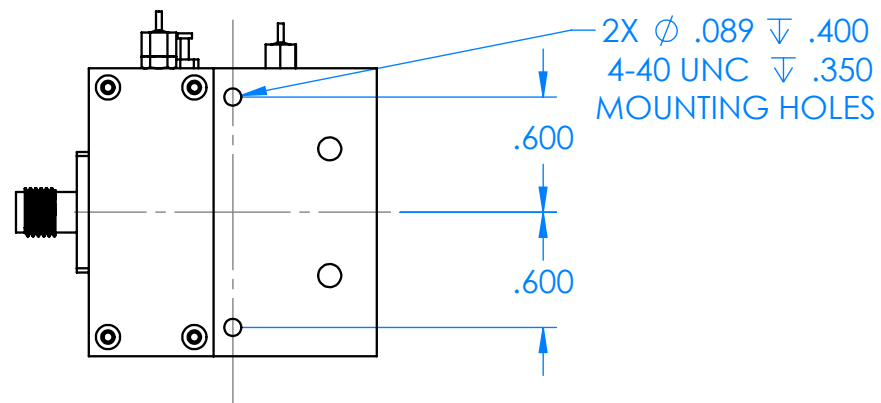


REVISIONS			
REV	DESCRIPTION	DATE	APPROVED
--	--	--	--



UG-387



SMAF

ALL DIMENSIONS ARE
 REFERENCE ONLY

DECIMALS: XXXX \pm .0005
 XXX \pm .005
 XX \pm .01
 ANGLES: \pm .5 DEGREE



	NAME	DATE
DRAWN	JV	1-7-20
CHECKED	LS	1-7-20
ENG	LS	1-7-20

MATL:

TITLE:

Millimeter Wave Products Inc.

SIZE DWG. NO.

A 93x-V-KF-385_INLINE_OUTLINE_25095

REV

SCALE: 1:1

WEIGHT:

SHEET 1 OF 1