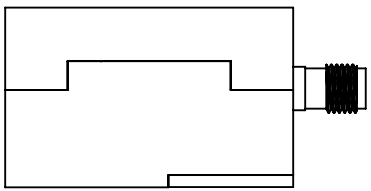
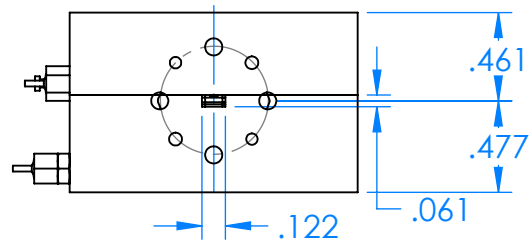
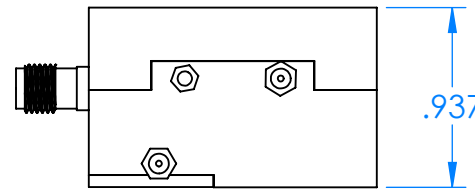
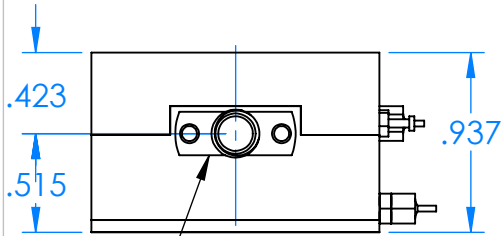
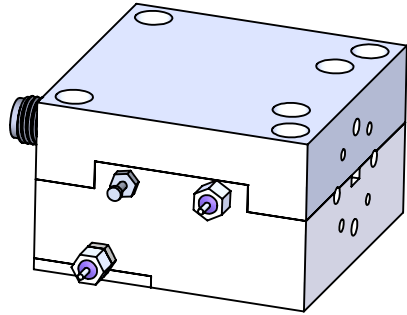
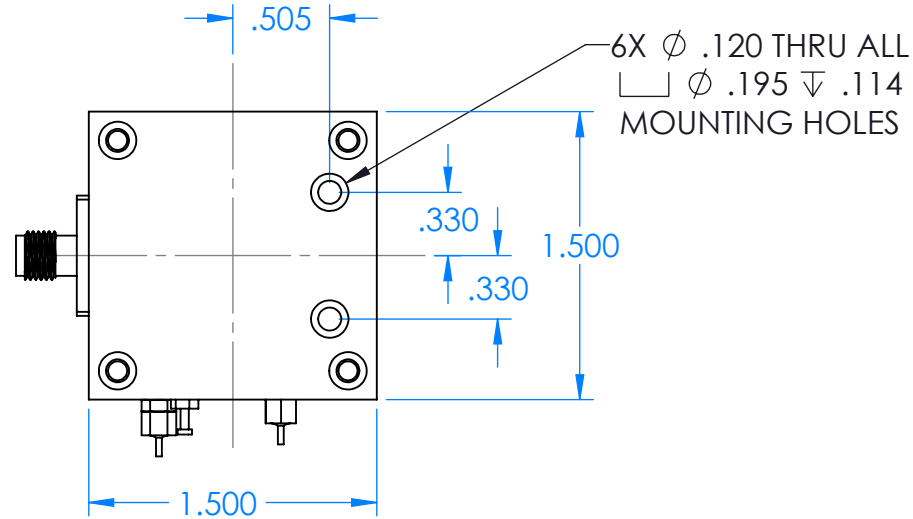
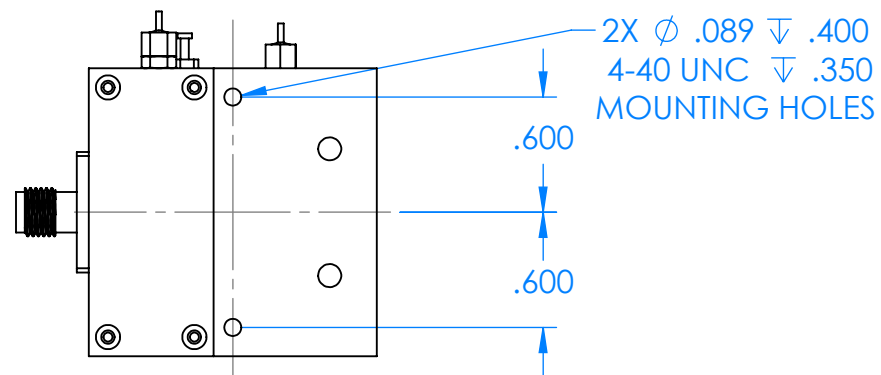


REVISIONS			
REV	DESCRIPTION	DATE	APPROVED
--	--	--	--



UG-387



SMAF

**ALL DIMENSIONS ARE
 REFERENCE ONLY**

DECIMALS: XXXX \pm .0005
 XXX \pm .005
 XX \pm .01
 ANGLES: \pm .5 DEGREE



	NAME	DATE
DRAWN	JV	1-7-20
CHECKED	LS	1-7-20
ENG	LS	1-7-20

MATL:

TITLE: Millimeter Wave Products Inc.		REV
SIZE: A	DWG. NO. 93x-E-KF-387_INLINE_OUTLINE_25077	REV
SCALE: 1:1	WEIGHT:	SHEET 1 OF 1