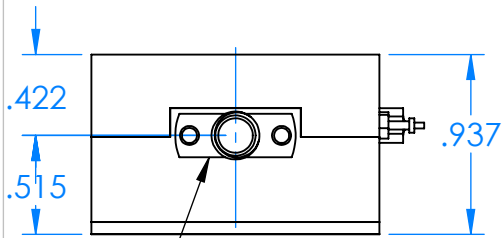
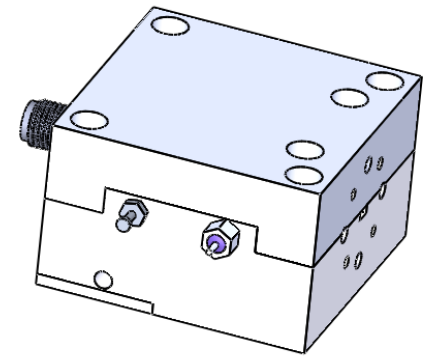
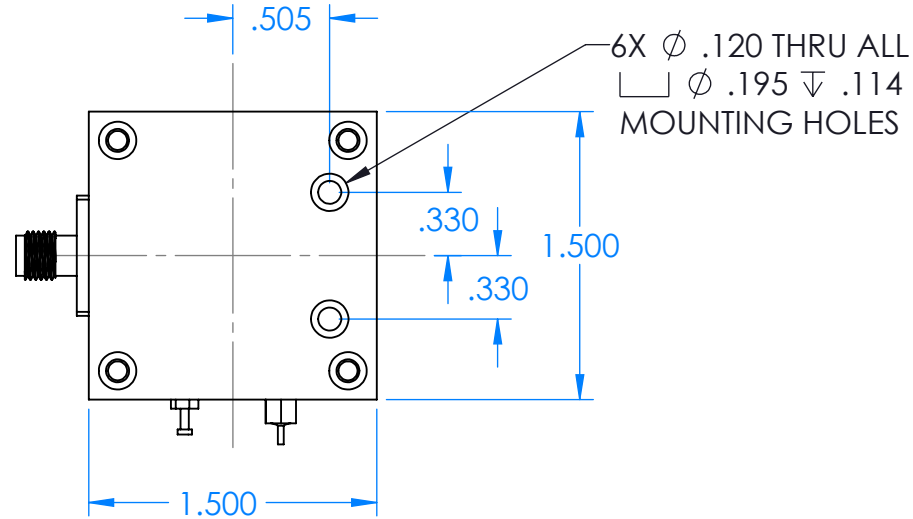
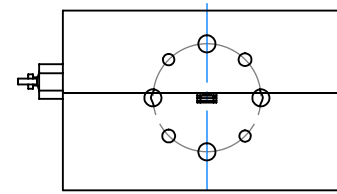
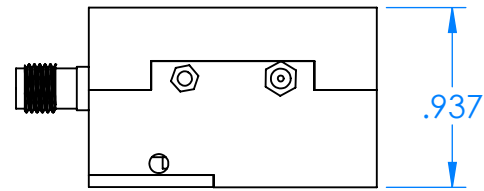


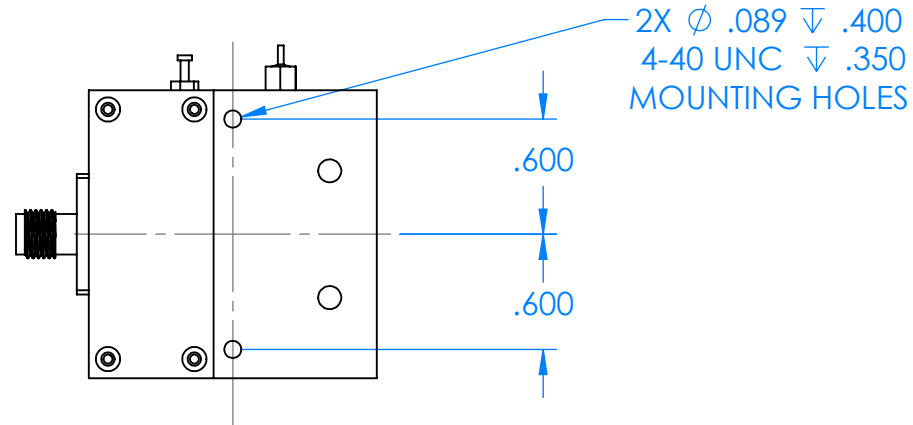
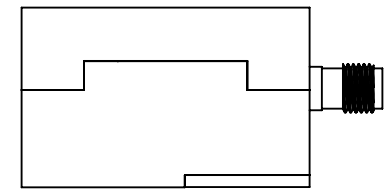
REVISIONS			
REV	DESCRIPTION	DATE	APPROVED
--	--	--	--



SMAF



UG-387



ALL DIMENSIONS ARE  
 REFERENCE ONLY

DECIMALS: XXXX  $\pm$ .0005  
 XXX  $\pm$ .005  
 XX  $\pm$ .01  
 ANGLES:  $\pm$  .5 DEGREE

THIRD ANGLE  
 PROJECTION

	NAME	DATE
DRAWN	JV	3-22-19
CHECKED	LS	3-22-19
ENG	LS	3-22-19

MATL:

TITLE:		Millimeter Wave Products Inc.	
SIZE	DWG. NO.	REV	
A	93x-W-KF-387_INLINE_OUTLINE_24624		
SCALE: 1:1	WEIGHT:	SHEET 1 OF 1	