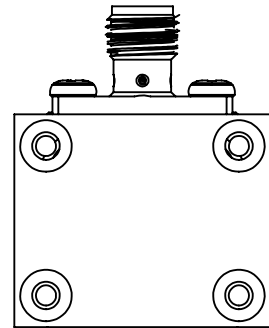
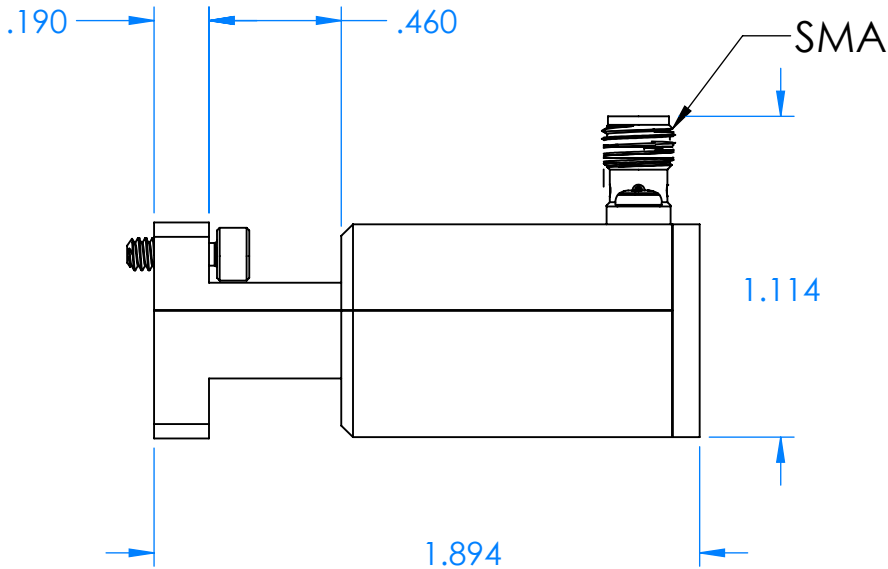
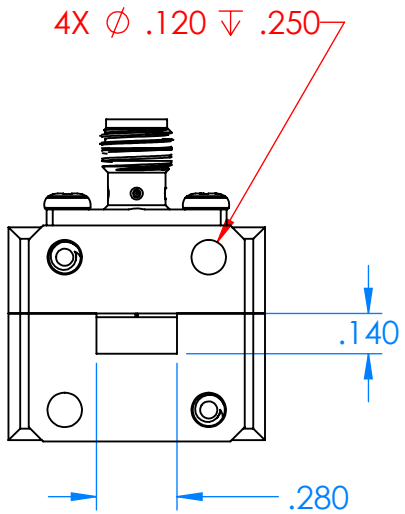
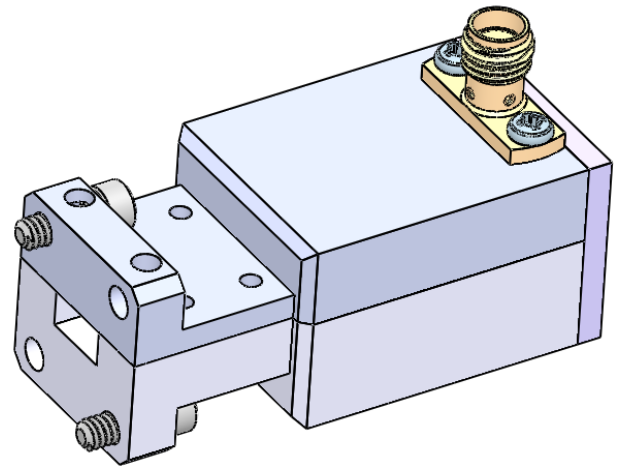
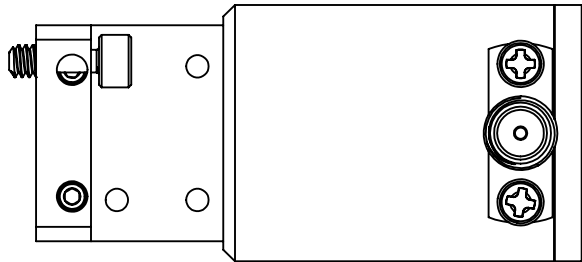


REVISIONS			
REV	DESCRIPTION	DATE	APPROVED
-	-	-	-



ALL DIMENSIONS  
ARE REFERENCE ONLY

DECIMALS: XXXX ±.0005 XXX ±.005 XX ±.01	NAME	DATE
ANGLES: ± .5 DEGREE	DRAWN	JV 12-30-19
THIRD ANGLE PROJECTION	CHECKED	MS 12-30-19
	ENG	LS 12-30-19
	MATL:	6061 T6 ALUMINUM

TITLE: Mi-Wave Millimeter Products Inc.		REV
SIZE: A	DWG. NO. 950A-599_SMA_OUTLINE_25059	-
SCALE: 3:2	WEIGHT:	SHEET 1 OF 1