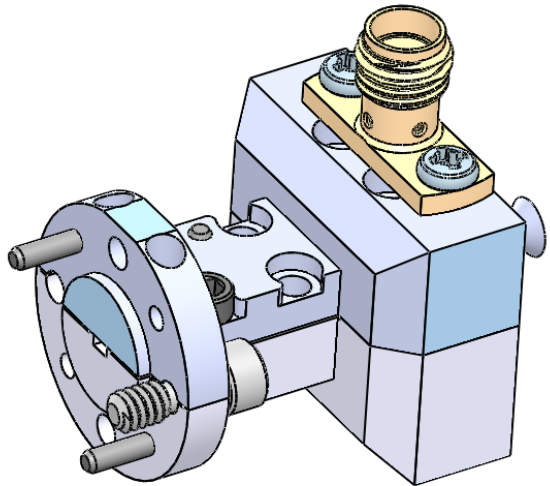
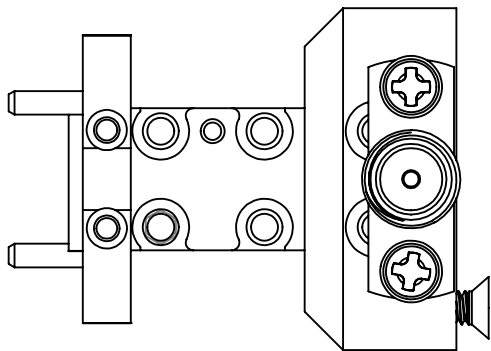
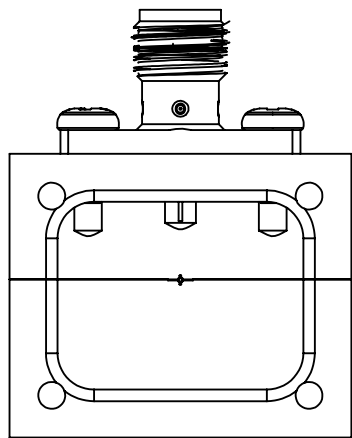
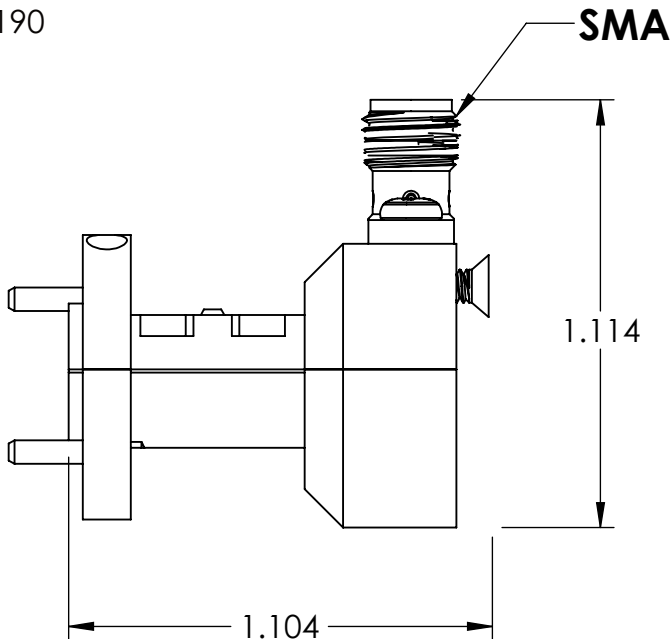
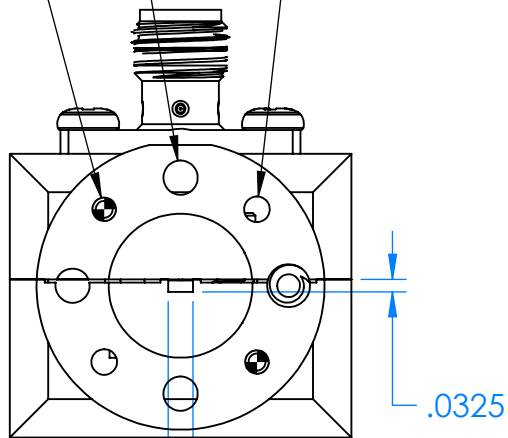


REVISIONS			
REV	DESCRIPTION	DATE	APPROVED
-	-	-	-



.061 DOWEL PINS  
 4X  $\phi$  .089  $\nabla$  .300  
 4-40 UNC  $\nabla$  .170  
 2X  $\phi$  .067  $\nabla$  .190



$\phi$  .0650

**UG-387**

**ALL DIMENSIONS  
 ARE REFERENCE ONLY**

DECIMALS: XXXX $\pm$ .0005 XXX $\pm$ .005 XX $\pm$ .01	ANGLES: $\pm$ .5 DEGREE	THIRD ANGLE PROJECTION	MATL: <b>1/2 HARD BRASS</b>
DRAWN: JV	CHECKED: MS	ENG: LS	NAME: DATE
			8-14-19
			8-14-19
			8-14-19

TITLE: <b>Mi-Wave Millimeter Products Inc.</b>	REV: -
SIZE: <b>A</b>	DWG. NO.: <b>950D-387_SMA_OUTLINE_24932</b>
SCALE: 2:1	WEIGHT: SHEET 1 OF 1