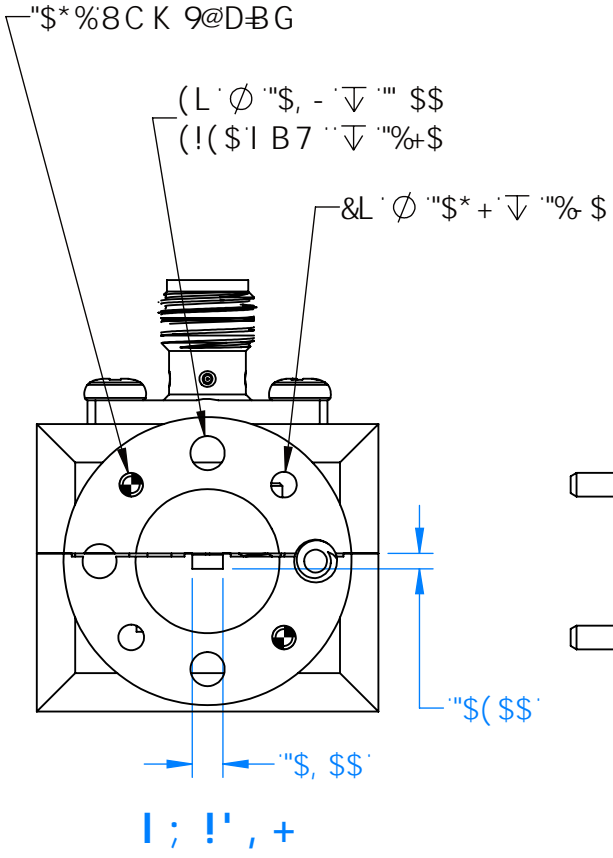
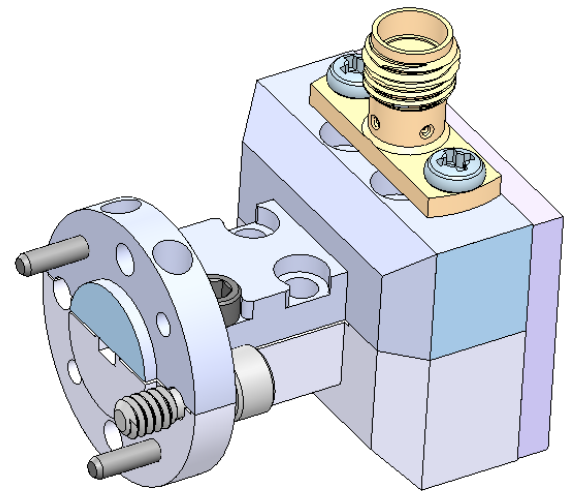
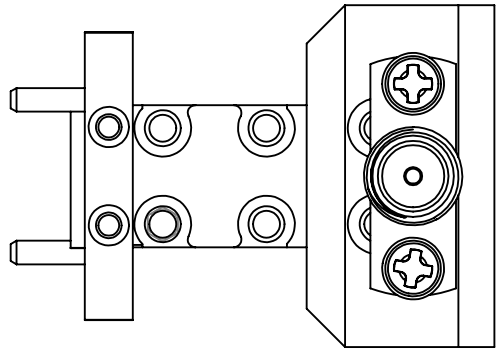


ΌΧΩΠ			
ΌΧ	ΌΌΠΠΠΠ	ΌΌ	ΌΌΌΌ
Ε	Ε	Ε	Ε



5@8-A 9BG€BG
5F9F9. 9F9B79CB@M

897 A 5 @ LLLL ± "\$\$\$)	B5A 9 85H9	##@.	T äÿ æ^A a ā ^c!ÁU[à~ &ø ÁQ&È
LLL ± "\$\$)	8F5K B 77)!)&\$&\$	G#9	-) \$:!' , +SGA 5SC I H@B9S&) &+(
LL ± "\$%	7 < 97?98 A G)!)&\$&\$	8K ; ""BC "	F9J
5B: @G ±") 89: F9GG	9B: @G)!)&\$&\$	5	!
H: #8 5B: @	A 5H@	G7 5 @. &%	G< 99H% C: %
DFC >97 HCB	%#& < 5F8 6F5GG	K 9# < H'	