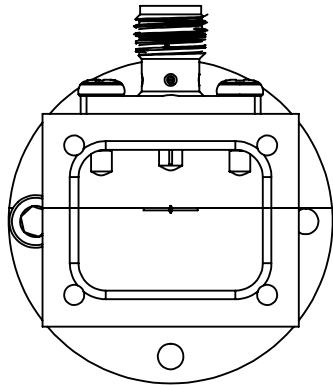
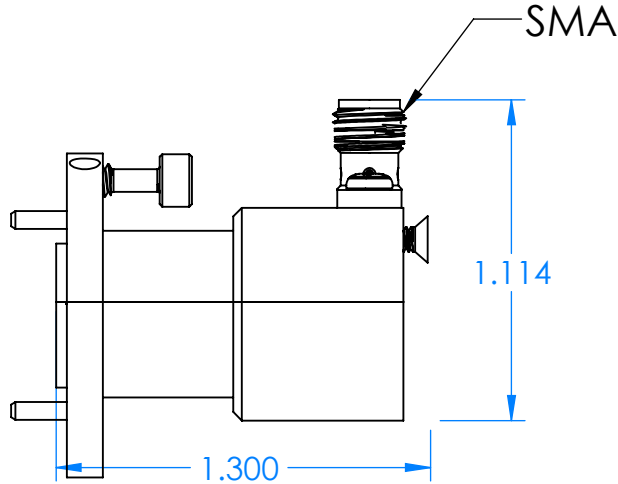
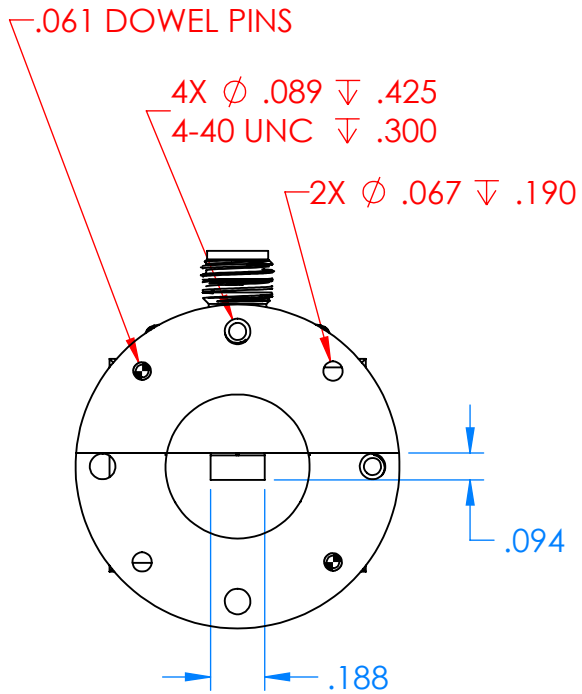
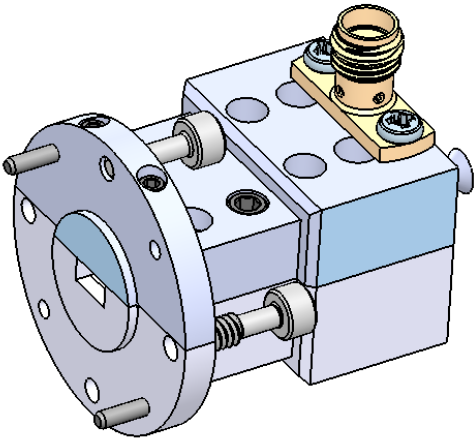
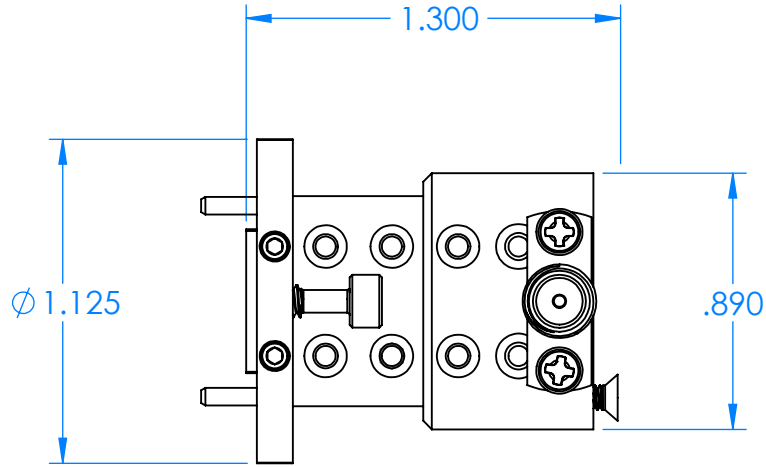


REVISIONS			
REV	DESCRIPTION	DATE	APPROVED
-	-	-	-



UG-383

ALL DIMENSIONS ARE REFERENCE ONLY

DECIMALS: XXXX ±.0005 XXX ±.005 XX ±.01	NAME	DATE
ANGLES: ± .5 DEGREE	DRAWN JV	1-03-29
THIRD ANGLE PROJECTION	CHECKED MS	1-03-29
	ENG LS	1-03-29
	MATL:	
	1/2 HARD BRASS	

TITLE: Mi-Wave Millimeter Products Inc.		REV
SIZE DWG. NO.	950U-383_SMA_OUTLINE_25067	-
A	SCALE: 3:2	WEIGHT:
		SHEET 1 OF 1