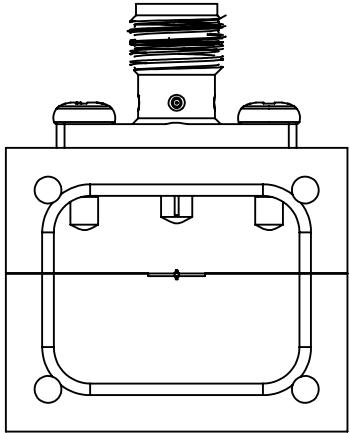
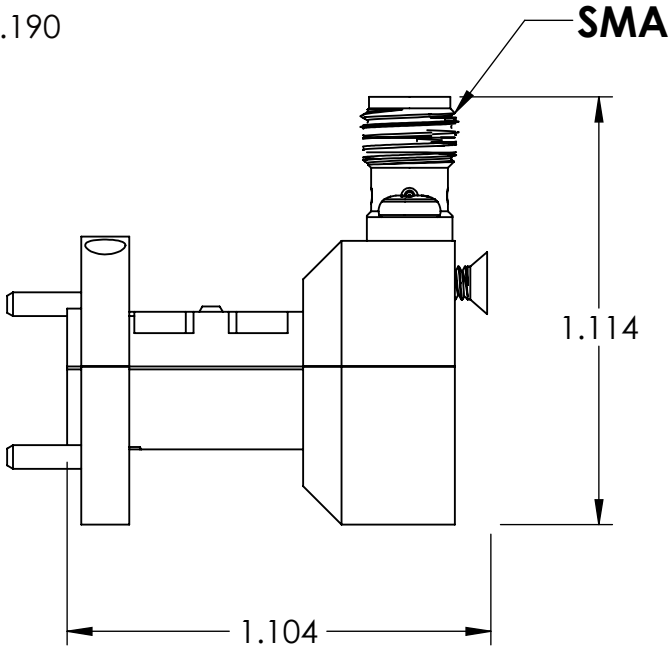
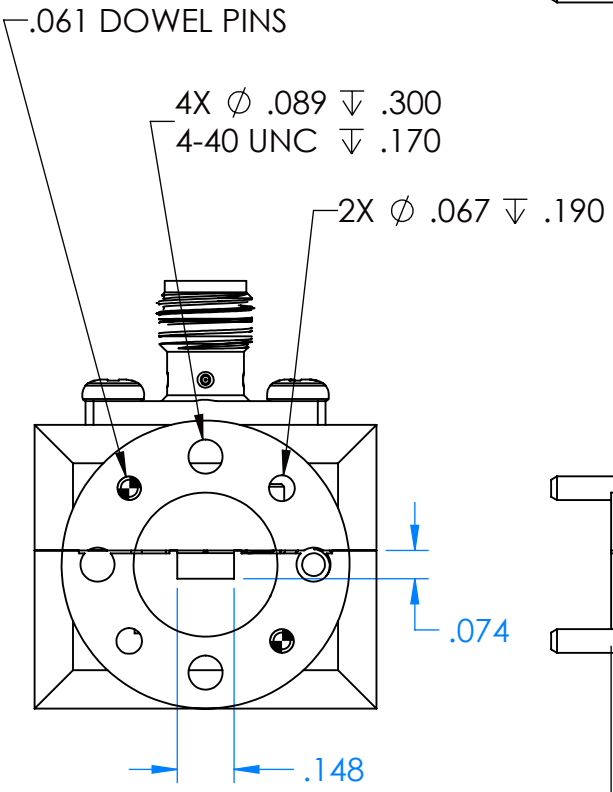
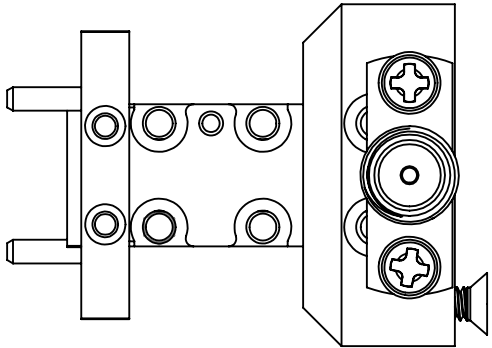
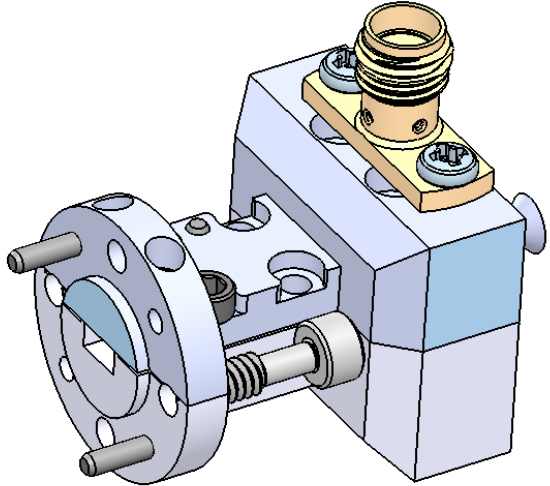


REVISIONS			
REV	DESCRIPTION	DATE	APPROVED
-	-	-	-



**UG-385**

**ALL DIMENSIONS  
ARE REFERENCE ONLY**

DECIMALS: XXXX $\pm$ .0005 XXX $\pm$ .005 XX $\pm$ .01	ANGLES: $\pm$ .5 DEGRESS	THIRD ANGLE PROJECTION	DRAWN: JV CHECKED: MS ENG: LS	NAME: MS DATE: 8-14-19	TITLE: Mi-Wave Millimeter Products Inc.	SIZE: A	DWG. NO.: 950V-385_SMA_OUTLINE_24892	REV: -
MATERIAL: 1/2 HARD BRASS			SCALE: 2:1		WEIGHT:		SHEET 1 OF 1	