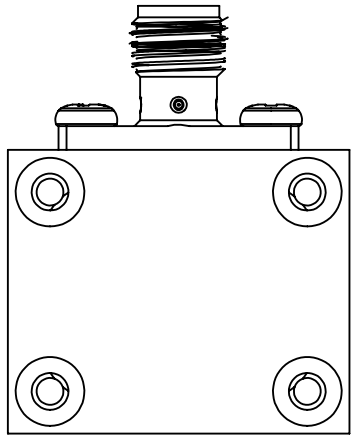
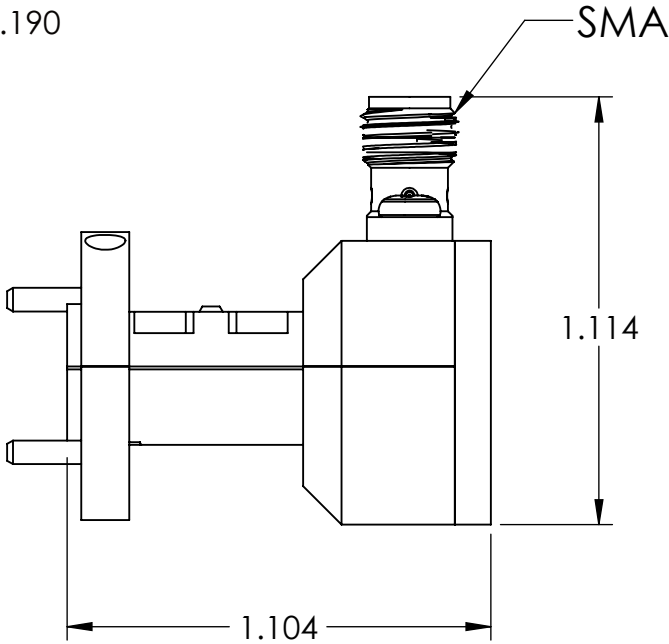
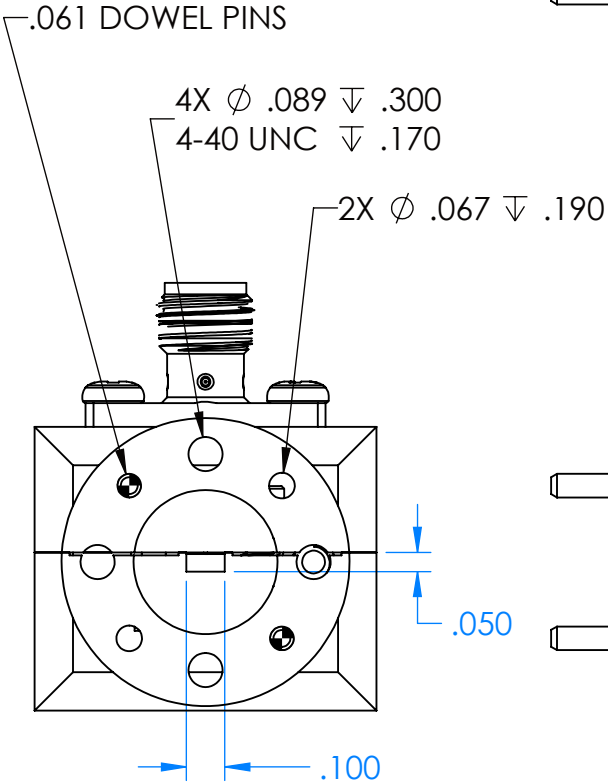
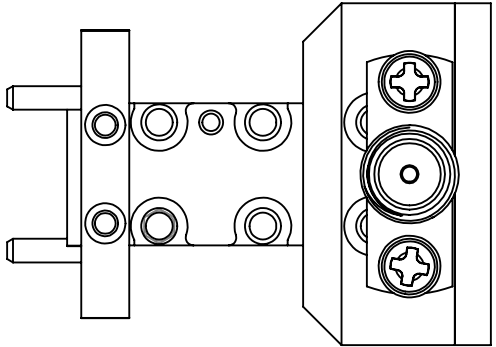
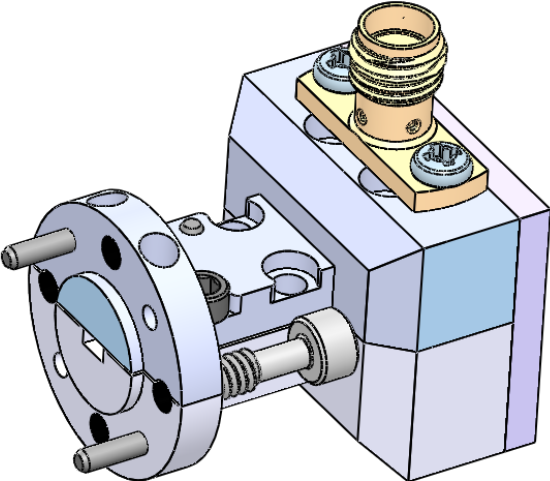


REVISIONS			
REV	DESCRIPTION	DATE	APPROVED
-	-	-	-



UG-387

ALL DIMENSIONS
ARE REFERENCE ONLY

DECIMALS: XXXX \pm .0005 XXX \pm .005 XX \pm .01	ANGLES: \pm .5 DEGREE	THIRD ANGLE PROJECTION	MATL: 1/2 HARD BRASS	<table border="1"> <tr> <th>NAME</th> <th>DATE</th> </tr> <tr> <td>DRAWN JV</td> <td>8-14-19</td> </tr> <tr> <td>CHECKED MS</td> <td>8-14-19</td> </tr> <tr> <td>ENG LS</td> <td>8-14-19</td> </tr> </table>	NAME	DATE	DRAWN JV	8-14-19	CHECKED MS	8-14-19	ENG LS	8-14-19
NAME	DATE											
DRAWN JV	8-14-19											
CHECKED MS	8-14-19											
ENG LS	8-14-19											

TITLE: Mi-Wave Millimeter Products Inc.		REV
SIZE DWG. NO. A	950W-387_SMA_OUTLINE_24900	-
SCALE: 2:1	WEIGHT:	SHEET 1 OF 1